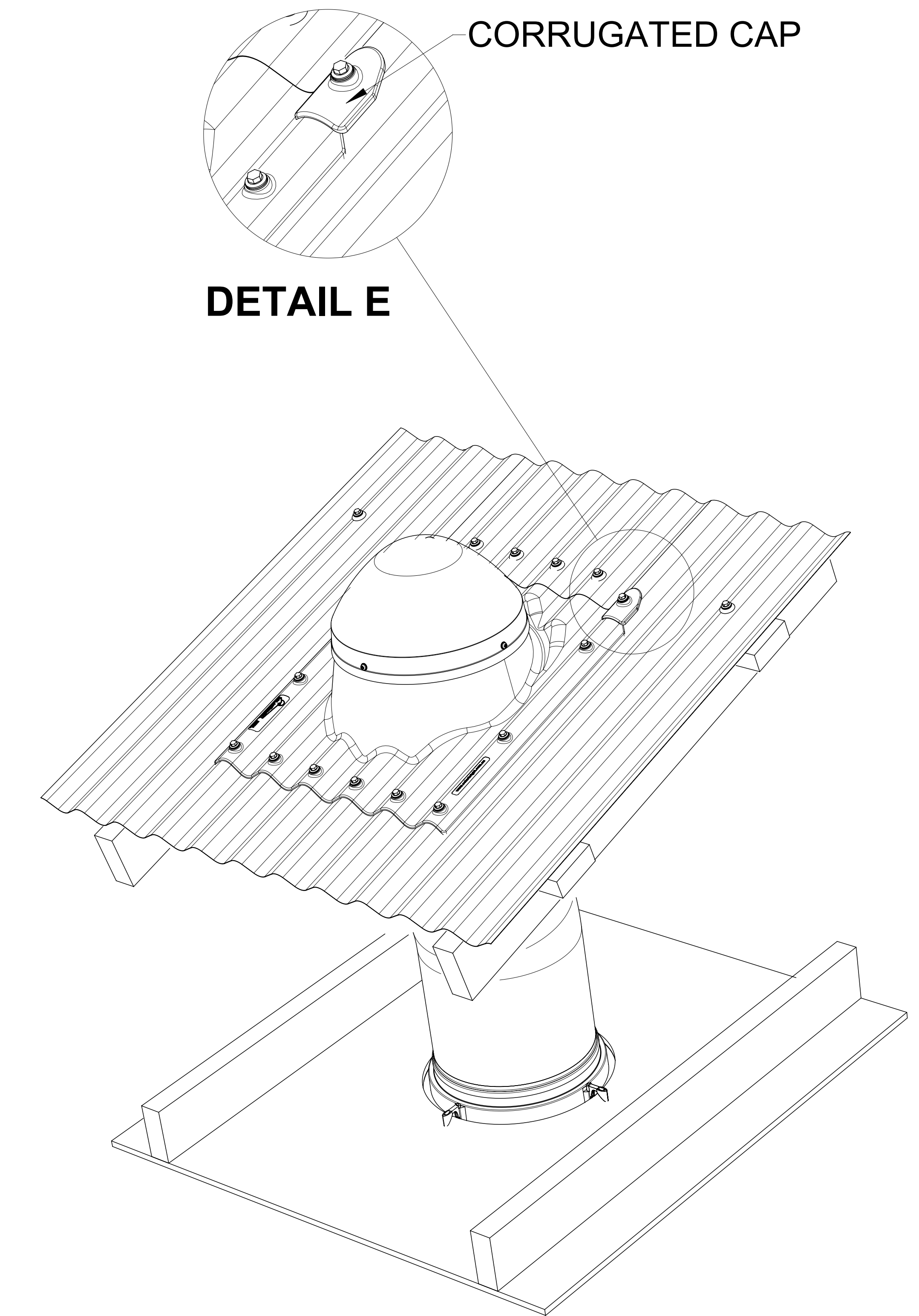
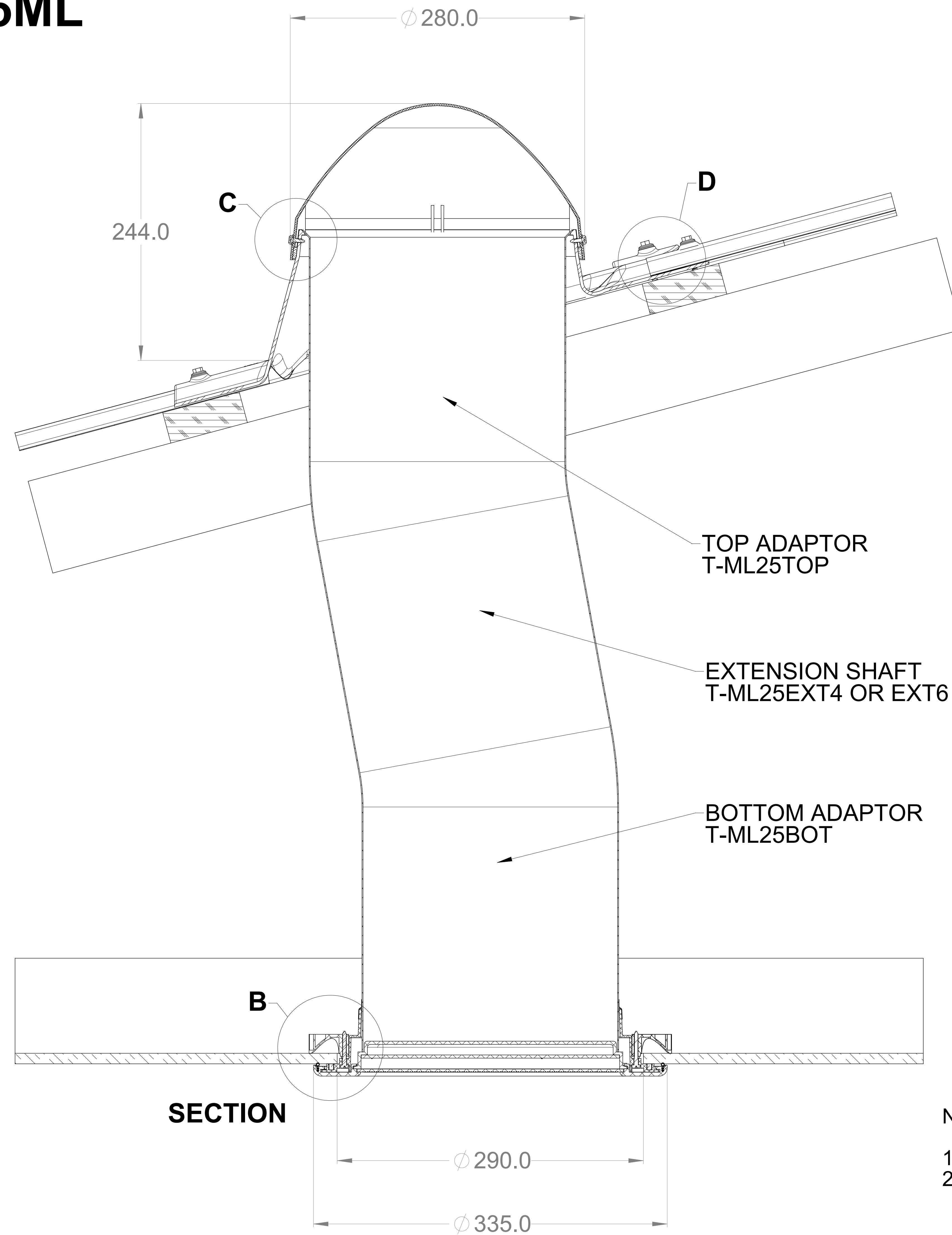
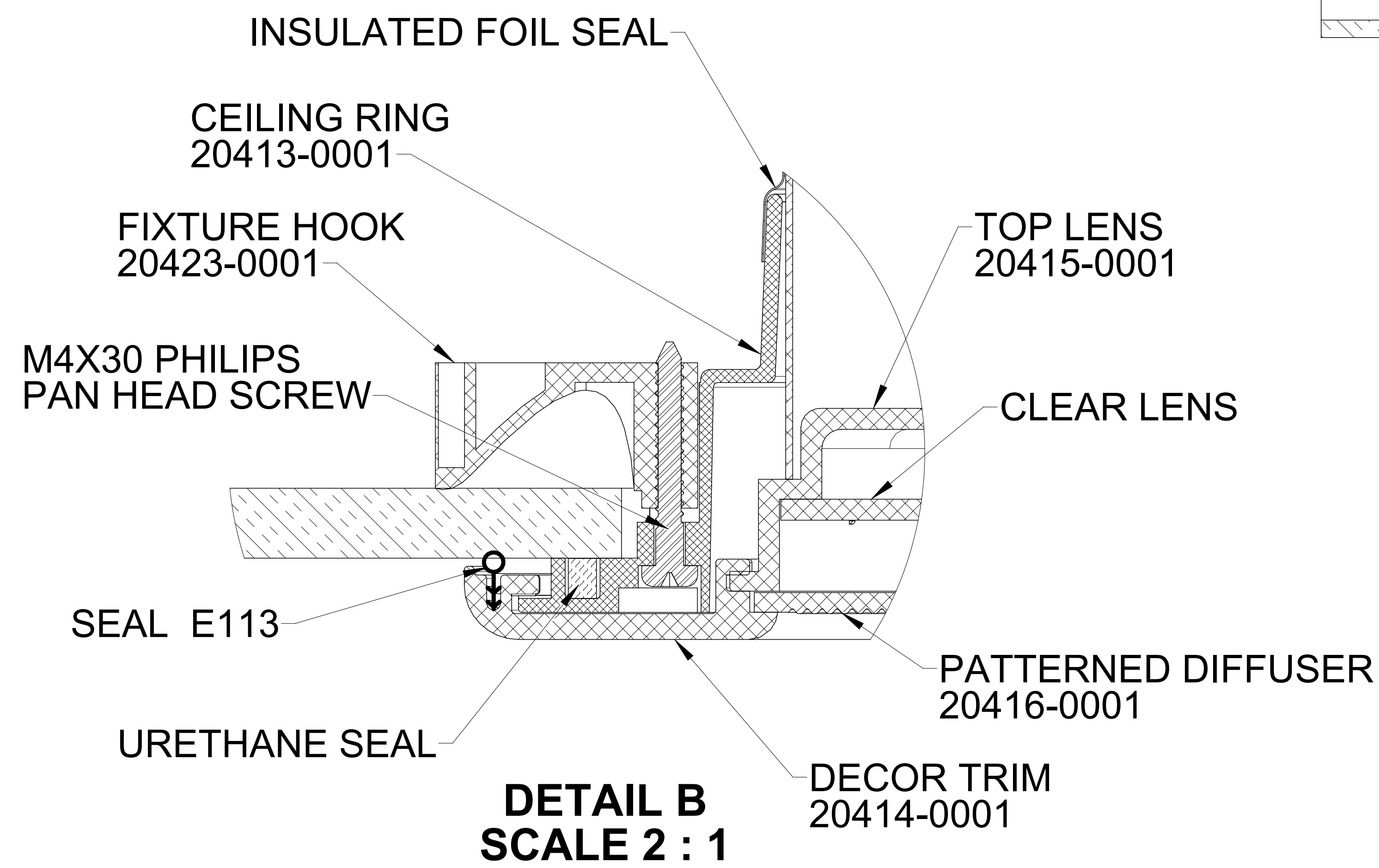
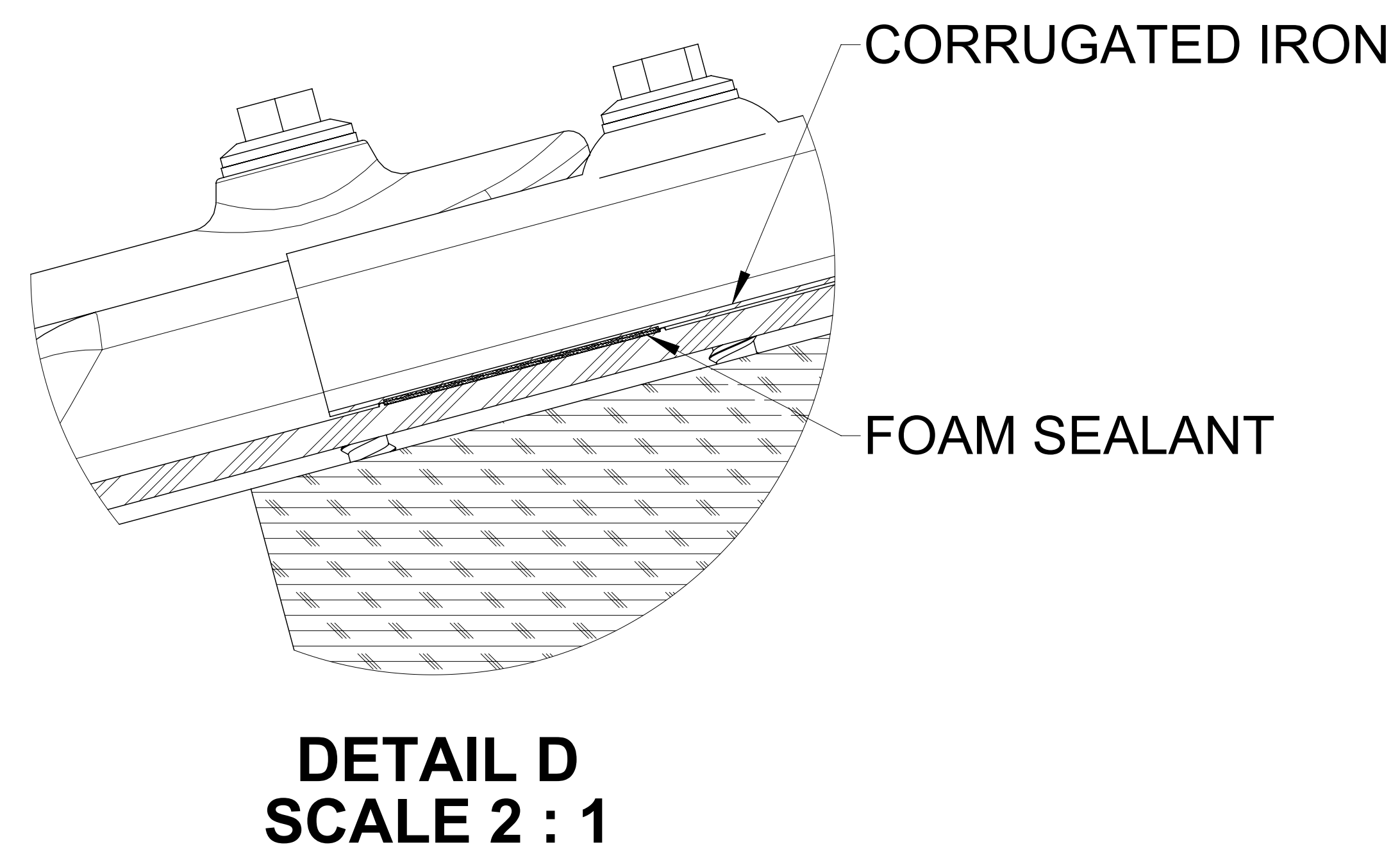
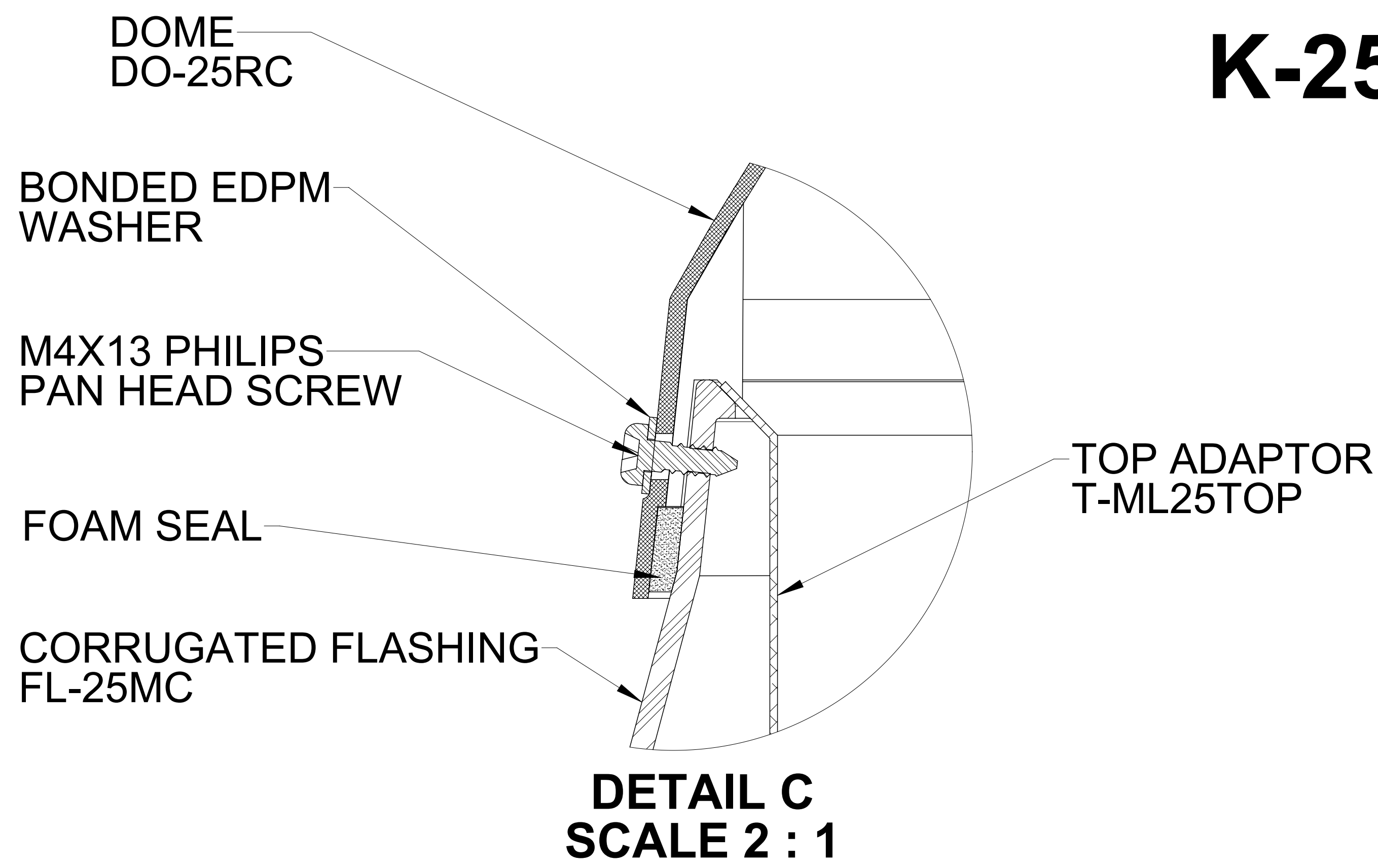


# K-25ML



**NOTES**

1. STRUCTURAL ELEMENTS SHOWN FOR REFERENCE ONLY
2. ALL DIMENSIONS IN METRIC MM



**Solar Bright International Pty Ltd**

11 Progress Circuit. Prestons. NSW. 2170 Australia.

ALL DIM IN MM	DO NOT SCALE	3RD ANGLE PROJECTION	AS1100	THIS PRINT Thursday, 11 September 2014 10:39:29 AM
THIS IS THE CONTROL DRAWING FOR THE CAD FILE: DRAWINGNAME-REVISION.EXTENSION				SHEET SIZE SHEET NUMBER SHEET SCALE
GENERAL TOLERANCES (UNLESS OTHERWISE STATED):				A0 1 / 1 1:2
DRAWING NAME				REVISION

**250 MAXLIGHT KIT**  
FOR METAL CORRUGATED APPLICATION

A