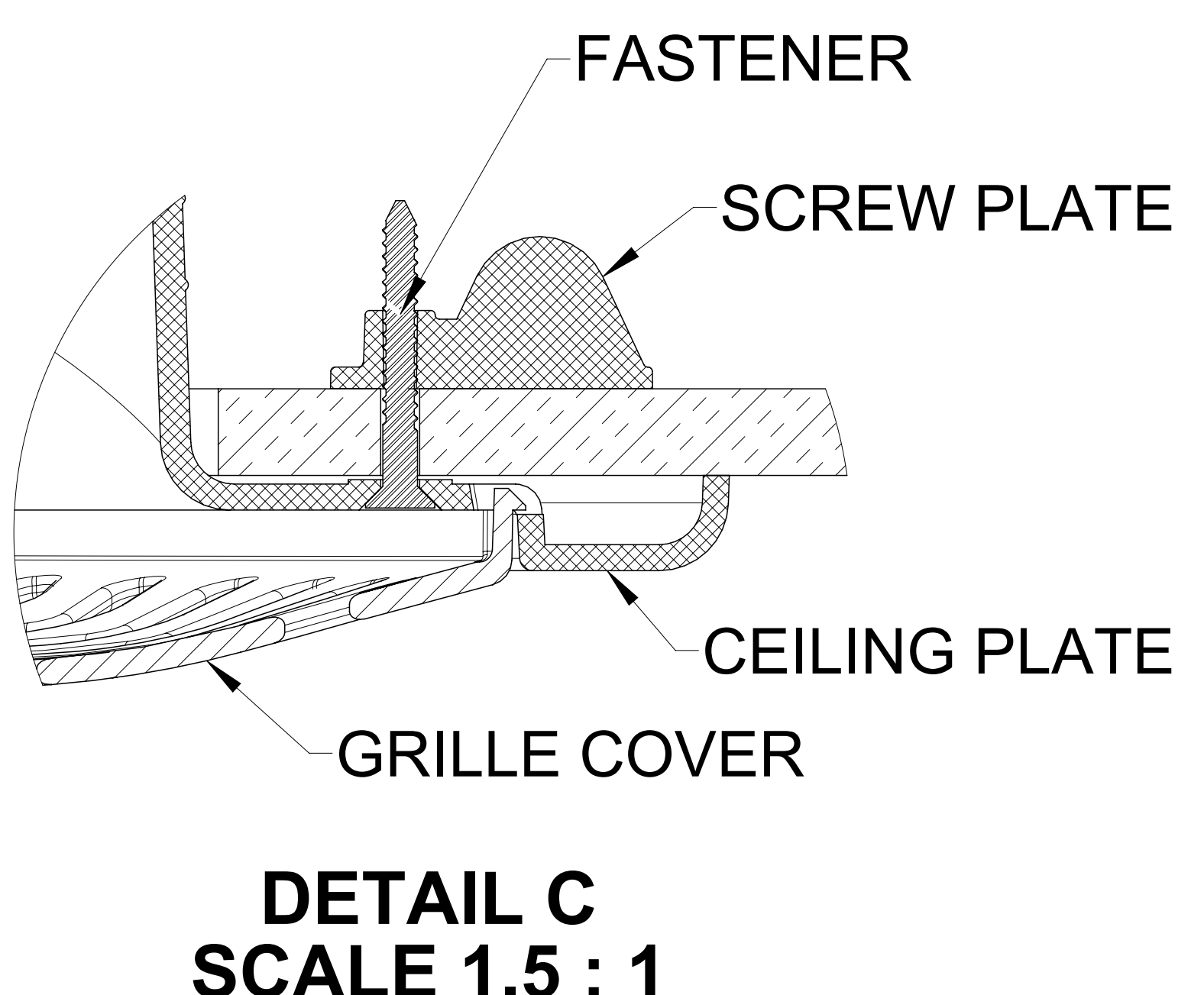
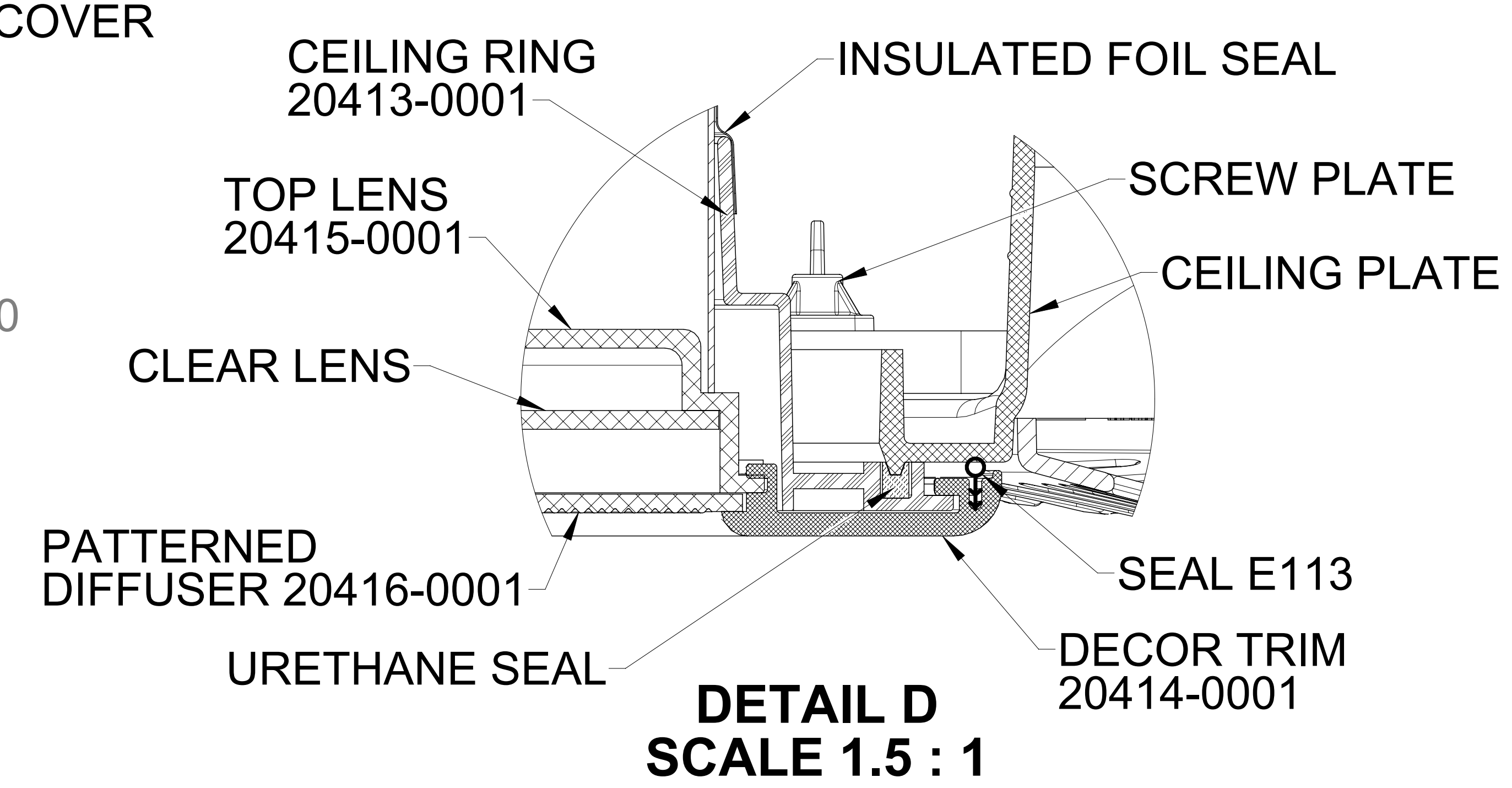
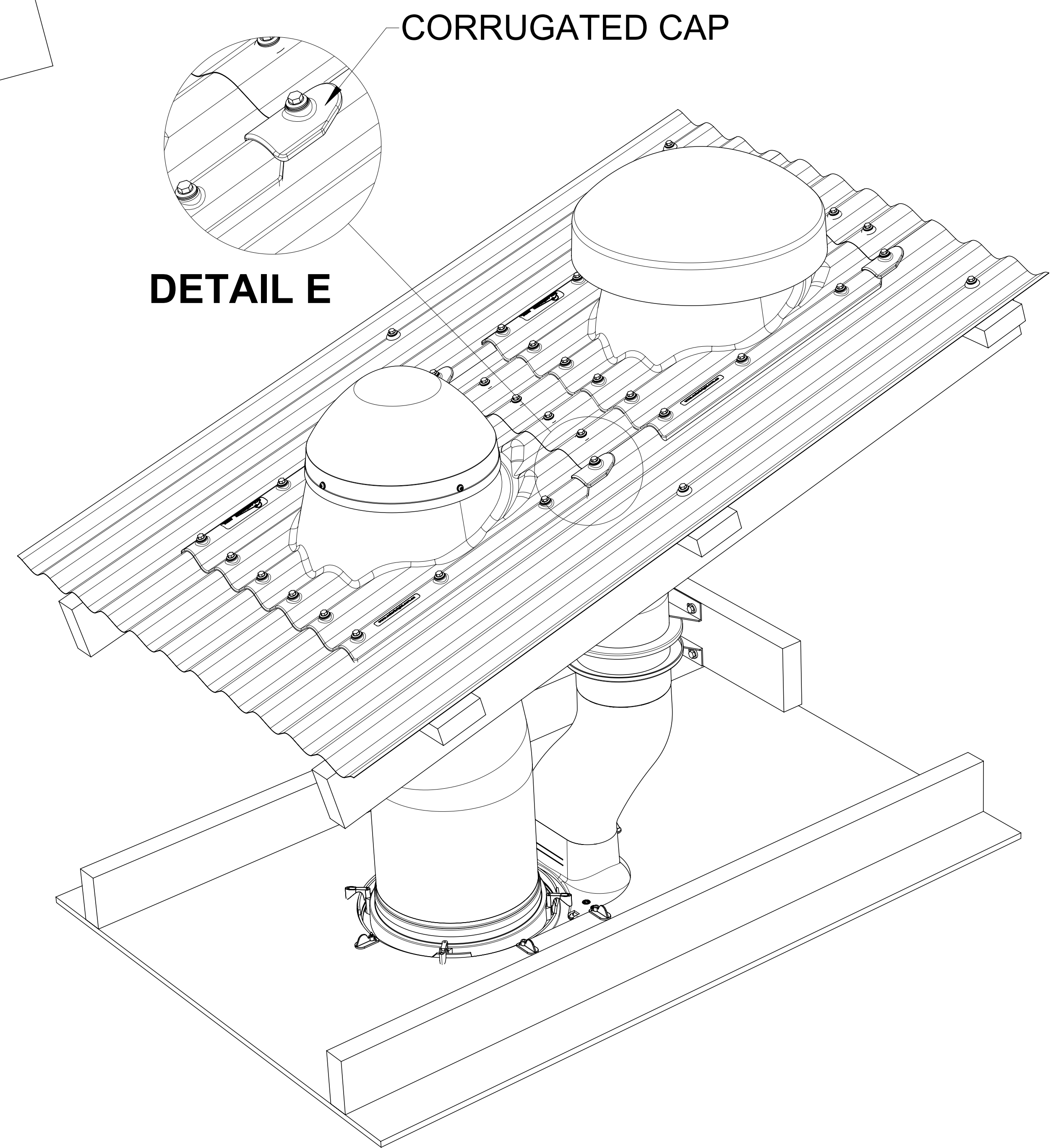
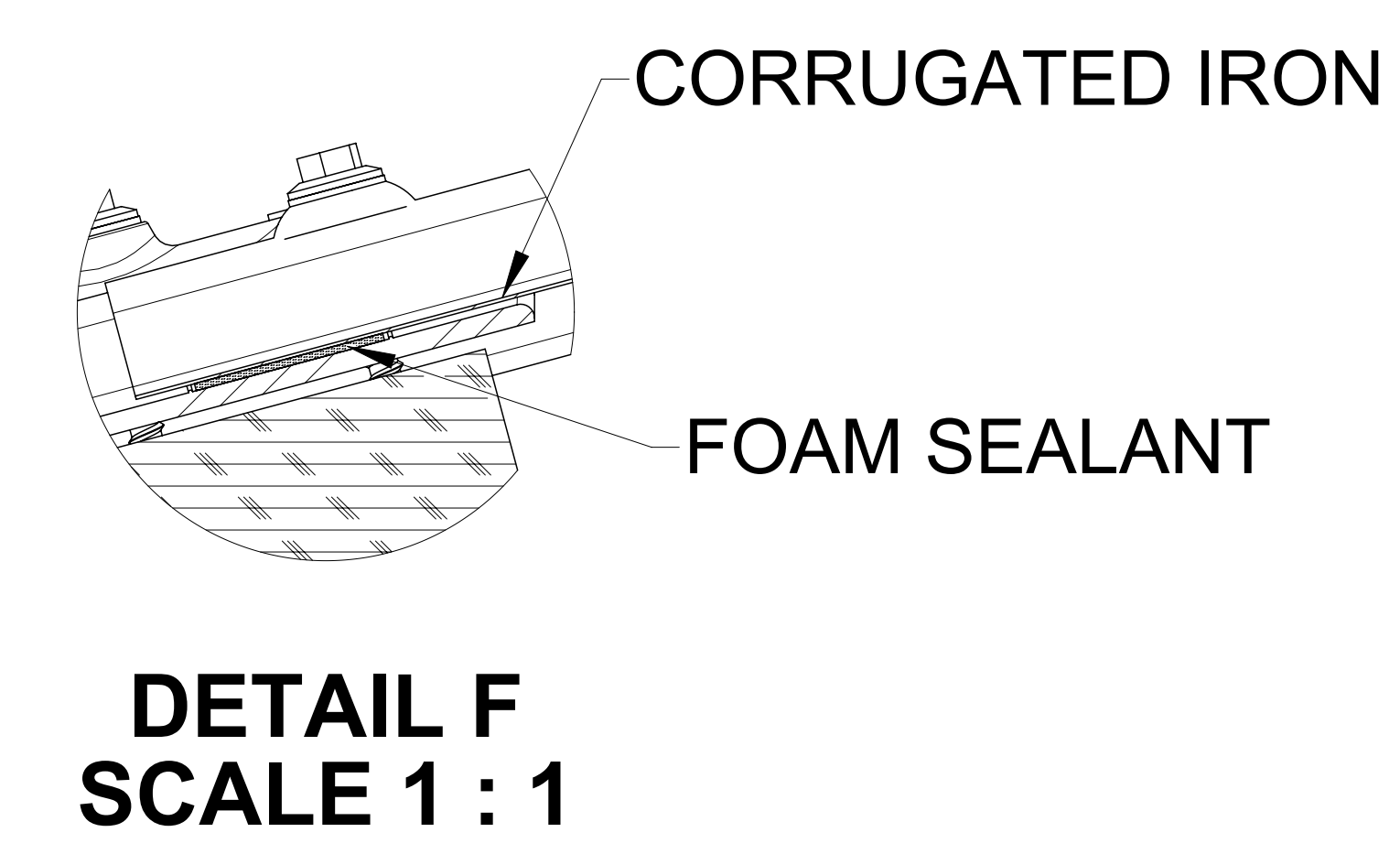
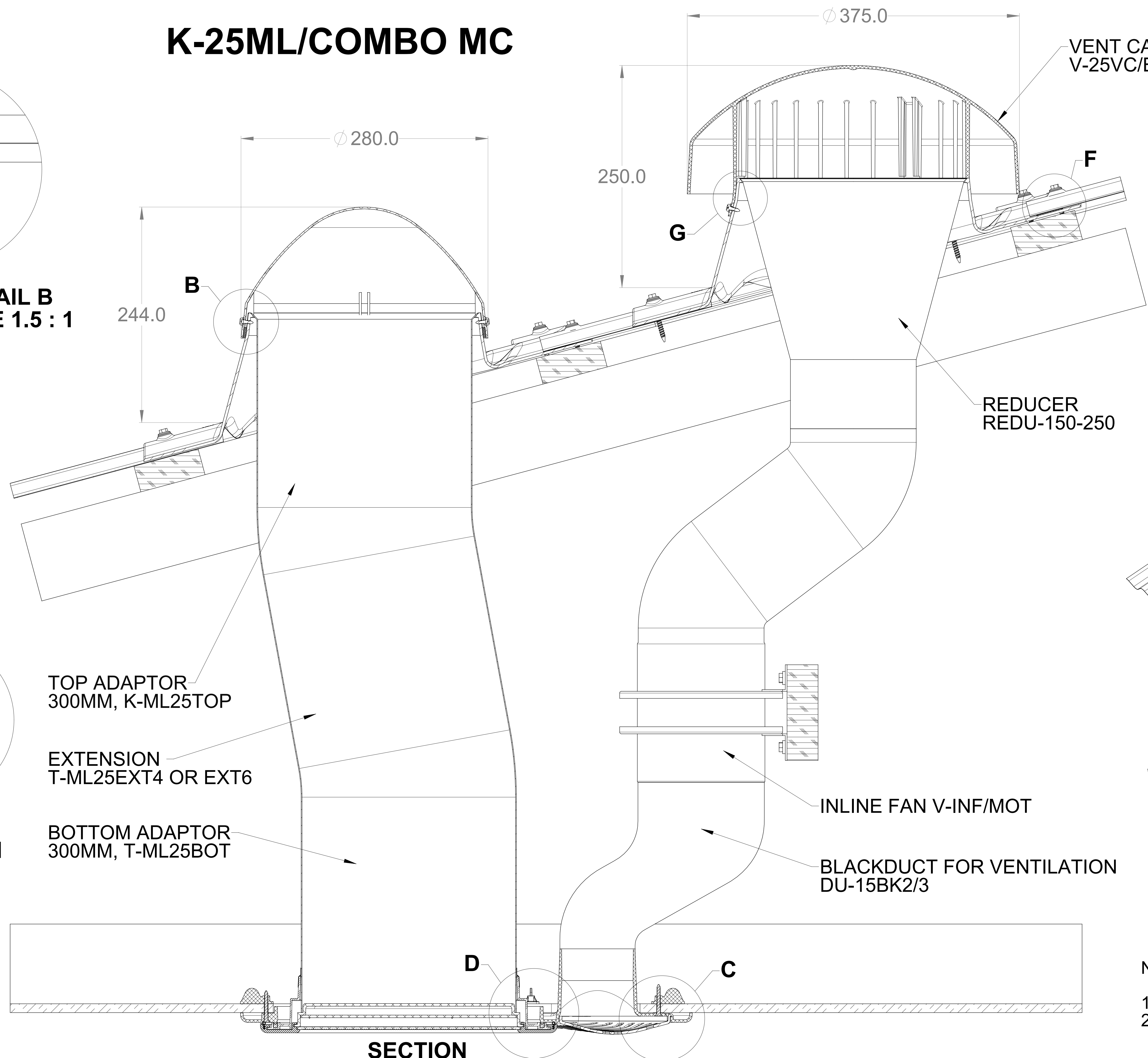
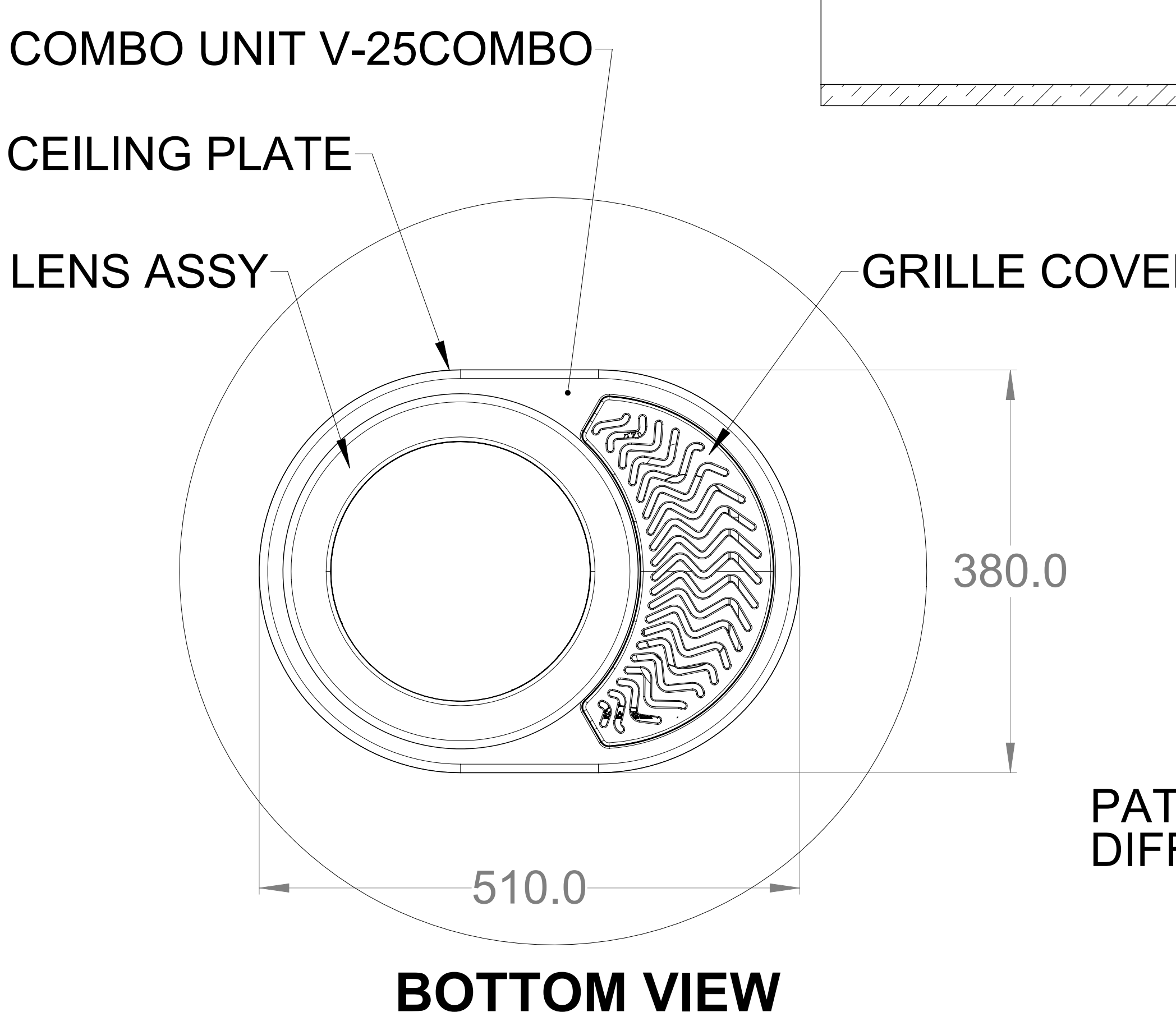
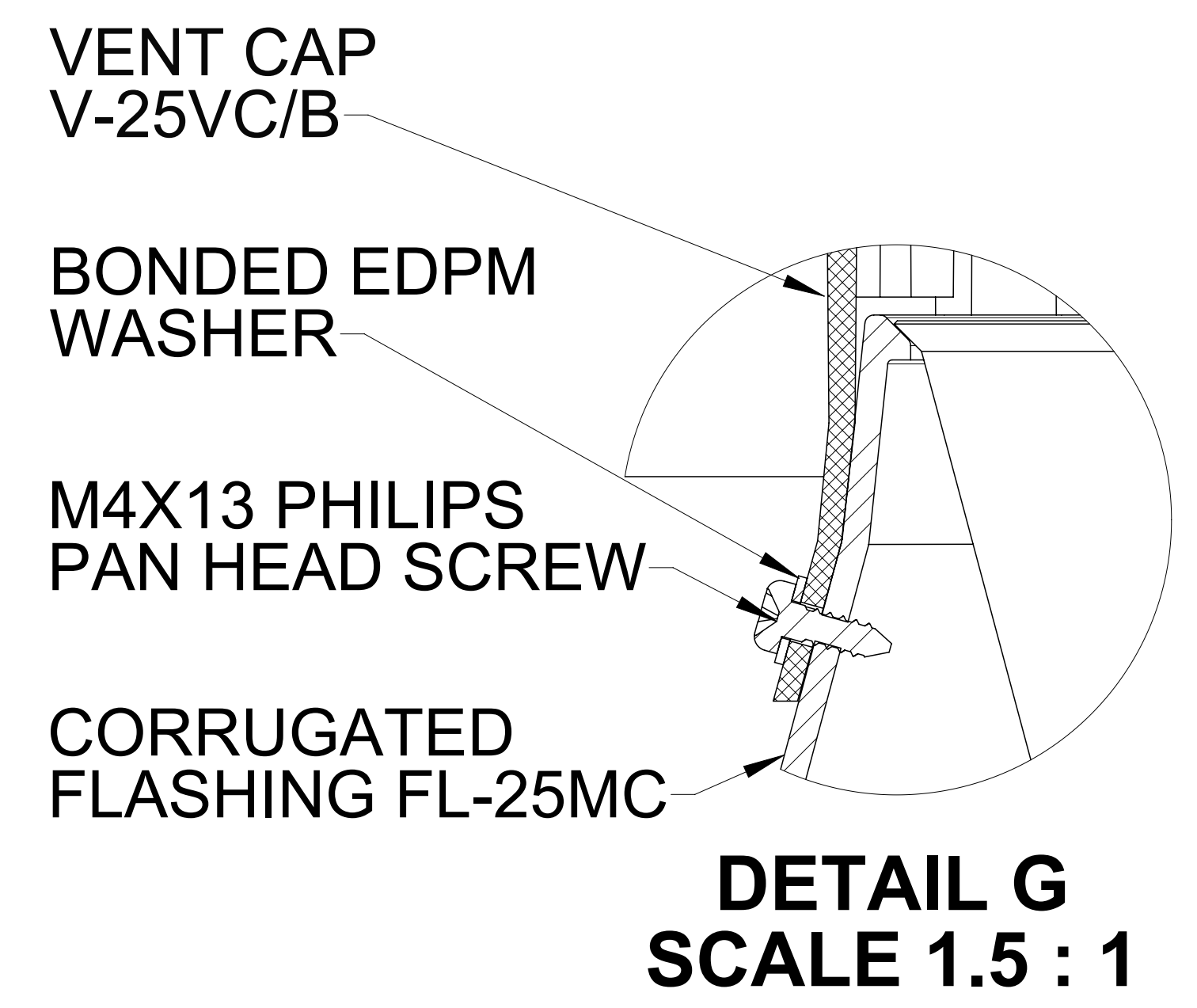
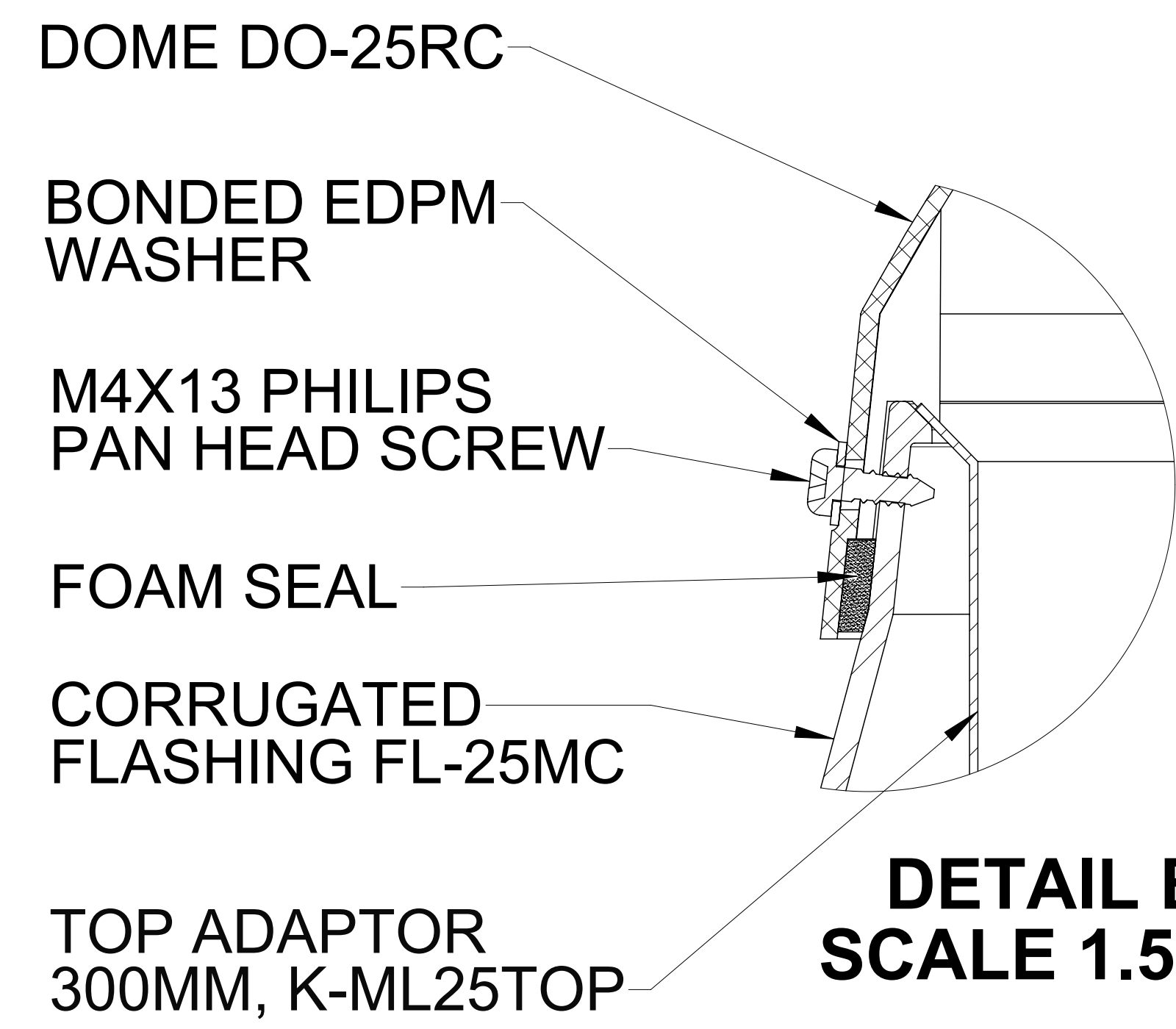


K-25ML/COMBO MC



NOTES

1. STRUCTURAL ELEMENTS SHOWN FOR REFERENCE ONLY
2. ALL DIMENSIONS IN METRIC MM



Solar Bright International Pty Ltd
11 Progress Circuit, Prestons, NSW, 2170 Australia.

ALL DIM IN MM	DO NOT SCALE	3RD ANGLE PROJECTION	AS1100	THIS PRINT Wednesday, 10 September 2014 5:07:50 PM
THIS IS THE CONTROL DRAWING FOR THE CAD FILE:		DRAWINGNAME-REVISION.EXTENSION		
GENERAL TOLERANCES (UNLESS OTHERWISE STATED):		X = ±1.000	XX = ±0.025	(X) = REF. DIM.
DRAWING NAME		A0	1 / 1	1:5
				REVISION

250 ML WITH COMBO VENT
FOR METAL CORRUGATED APPLICATION

A