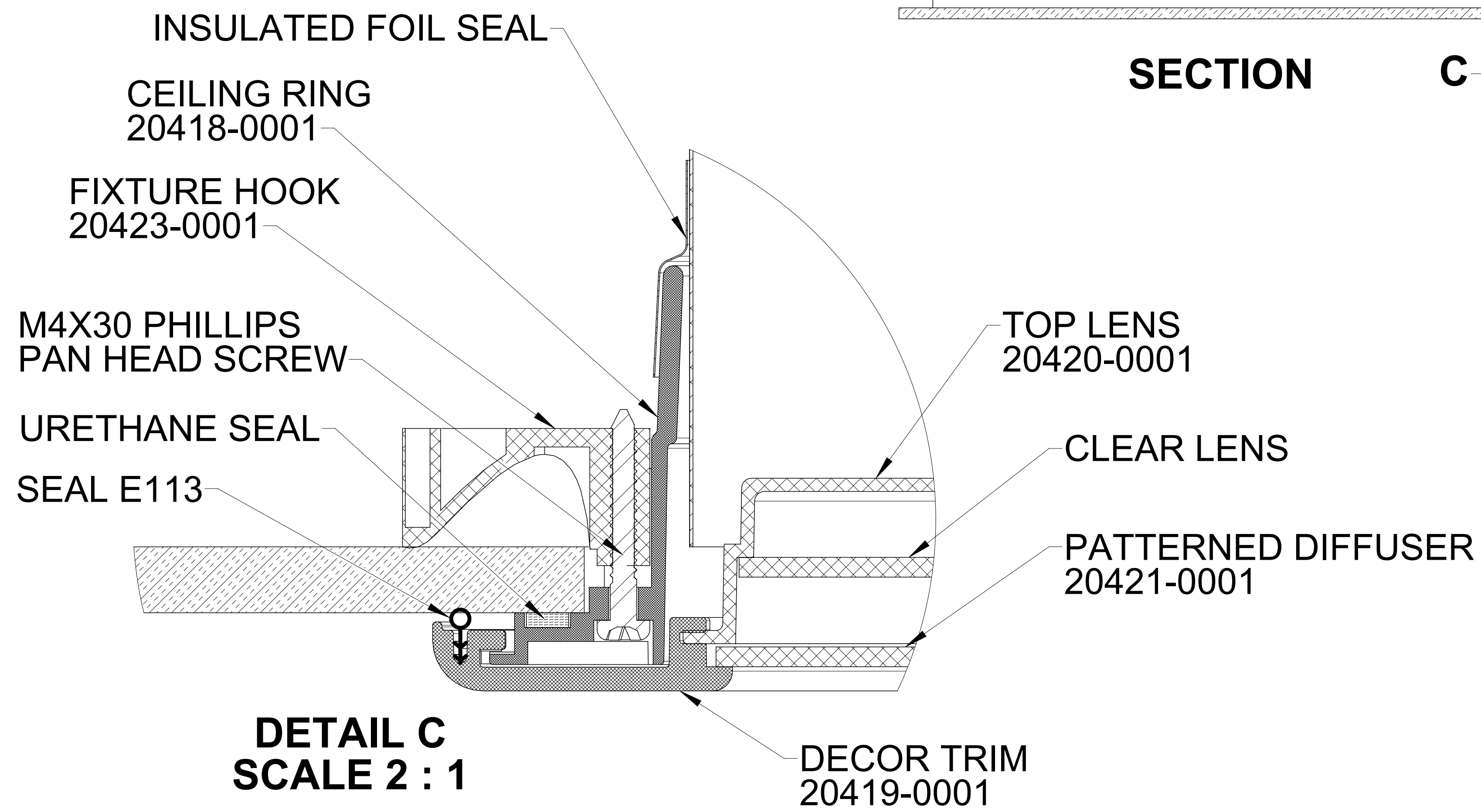
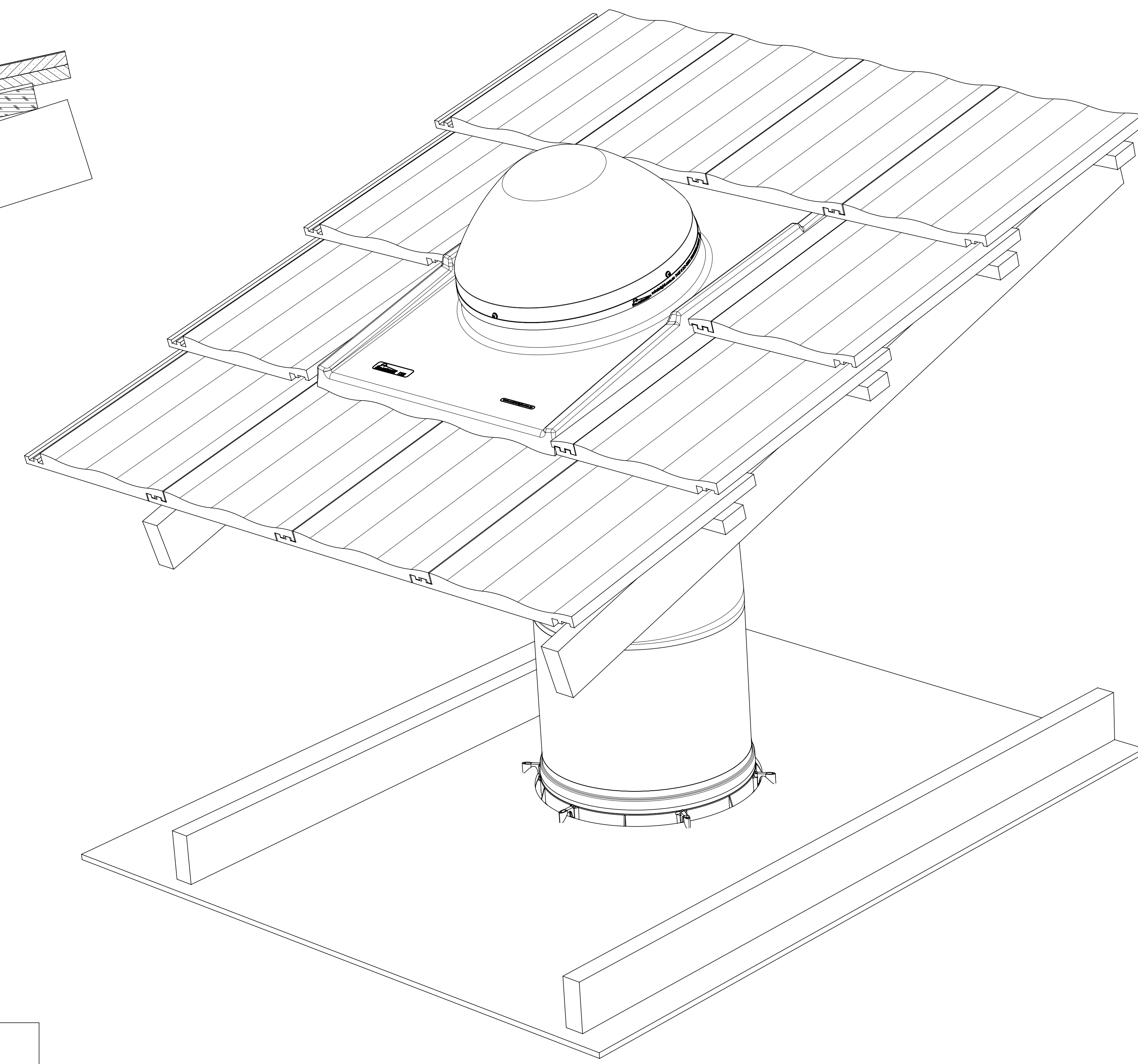
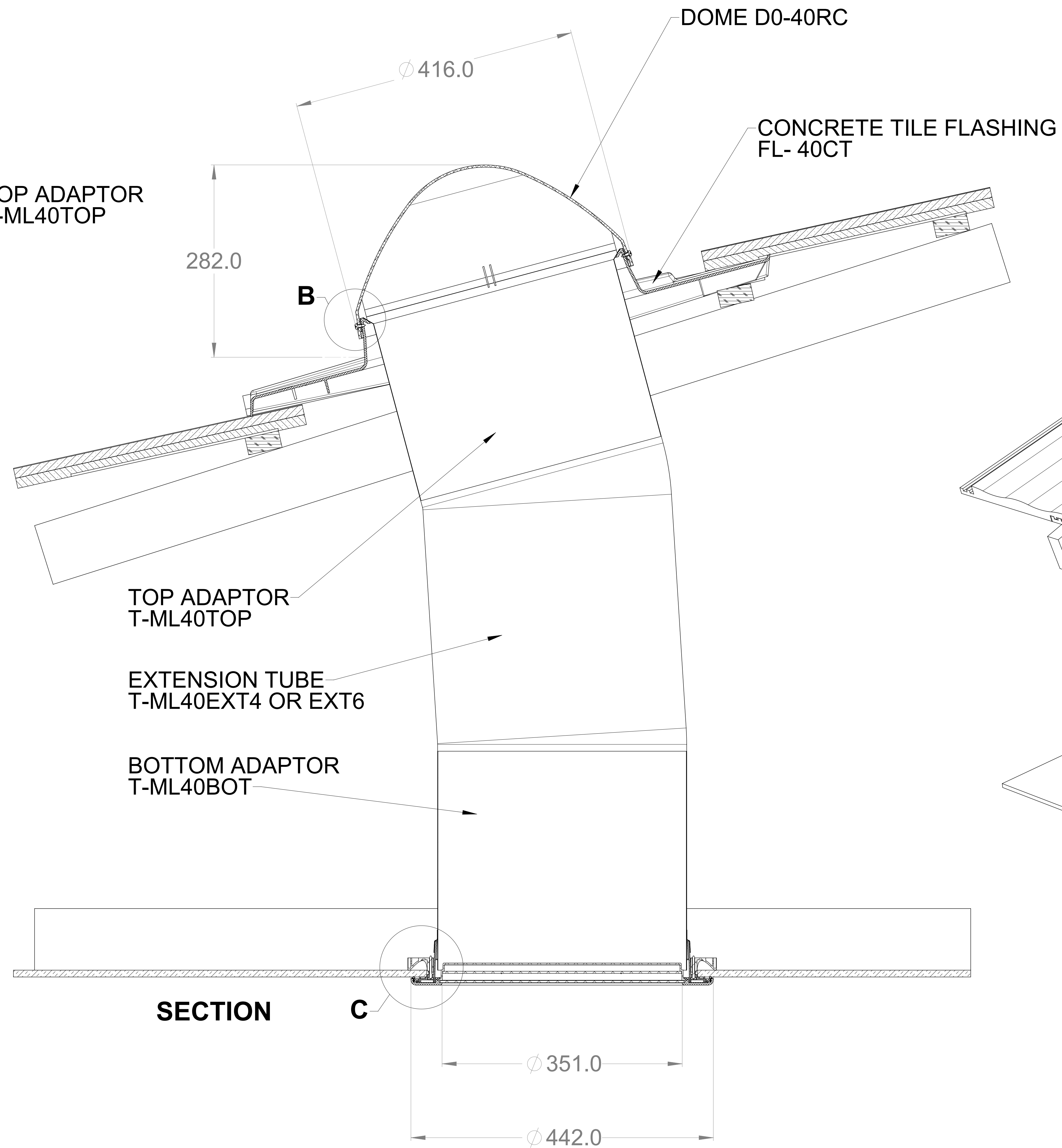
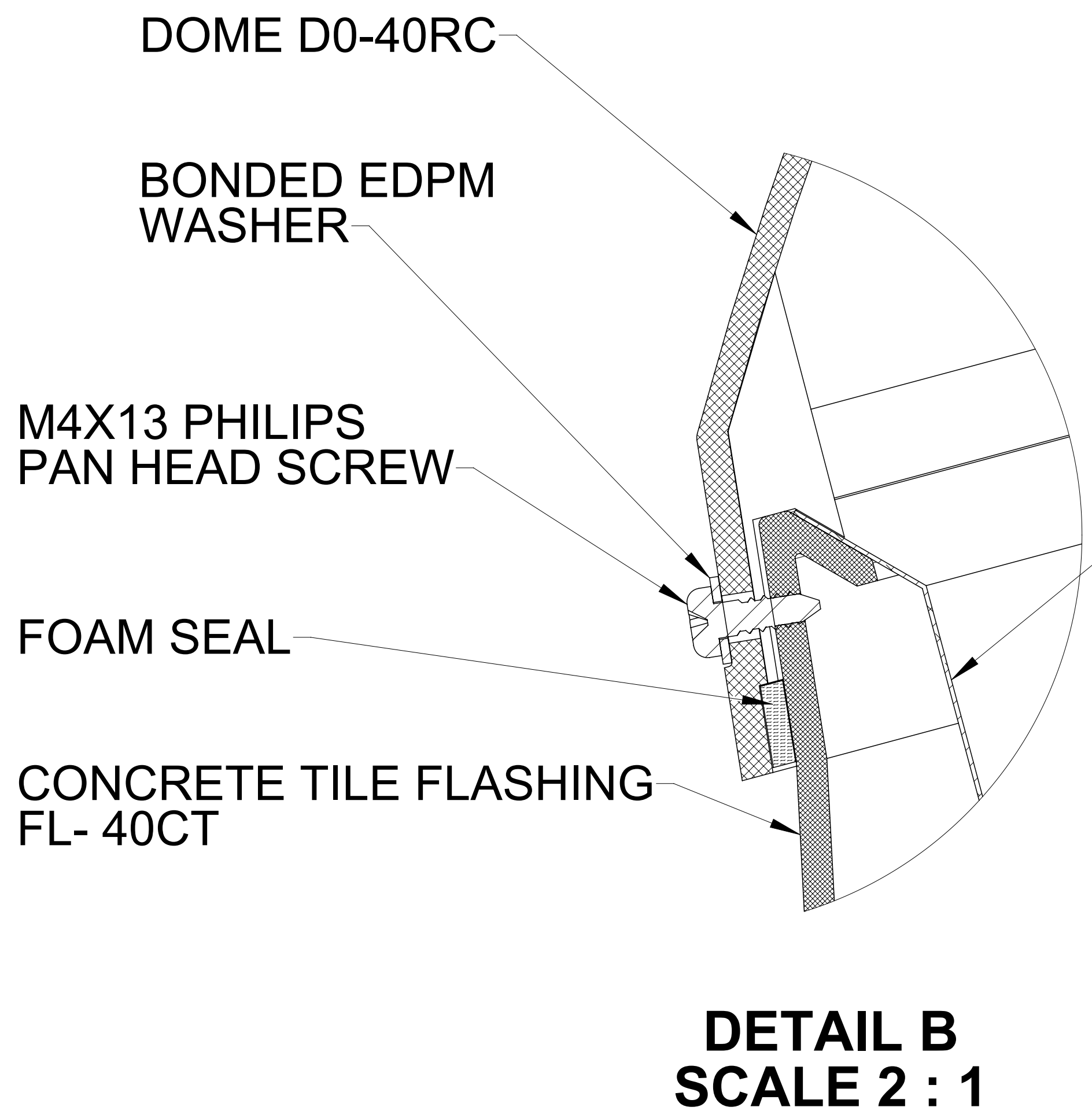


# K-40MLCT



**NOTES**

1. STRUCTURAL ELEMENTS SHOWN FOR REFERENCE ONLY
2. ALL DIMENSIONS IN METRIC MM



**Solar Bright International Pty Ltd**

11 Progress Circuit. Prestons. NSW. 2170 Australia.

ALL DIM IN MM	DO NOT SCALE	3RD ANGLE PROJECTION	AS1100	THIS PRINT	Thursday, 11 September 2014 11:14:09 AM
THIS IS THE CONTROL DRAWING FOR THE CAD FILE: DRAWINGNAME-REVISION.EXTENSION				SHEET SIZE	SHEET NUMBER
GENERAL TOLERANCES (UNLESS OTHERWISE STATED):				A0	1 / 1
X = ±1.000 XX = ±0.250				1:4	REVISION
X,XX = ±0.025 (X) = REF. DIM.					A

DRAWING NAME

**400 MAXLIGHT KIT  
FOR CONCRETE TILE APPLICATION**

REVISION

A