

Outdoor on-grid inverter

JSI-2000TL

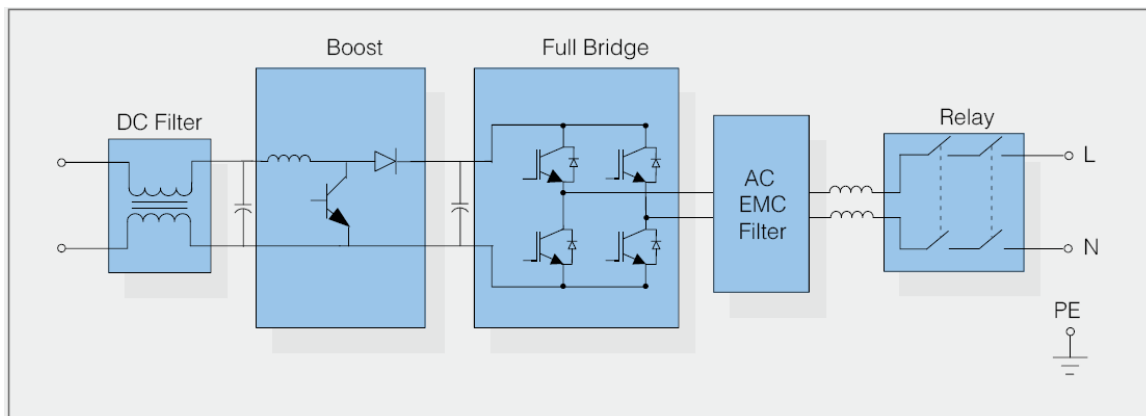
JSI BENEFITS

- Compact size and high power density
- High speed MPPT for real time power tracking and improved energy harvesting
- Transformerless operation for highest efficiency: > 96% (>95% Euro)
- High overload capability: works up to 2200W under most ambient conditions
- Certified grid connected operation according to the international standards
- True Sine Wave Output
- Integrated RS-485/RS-232 serial communication
- Multi-language display

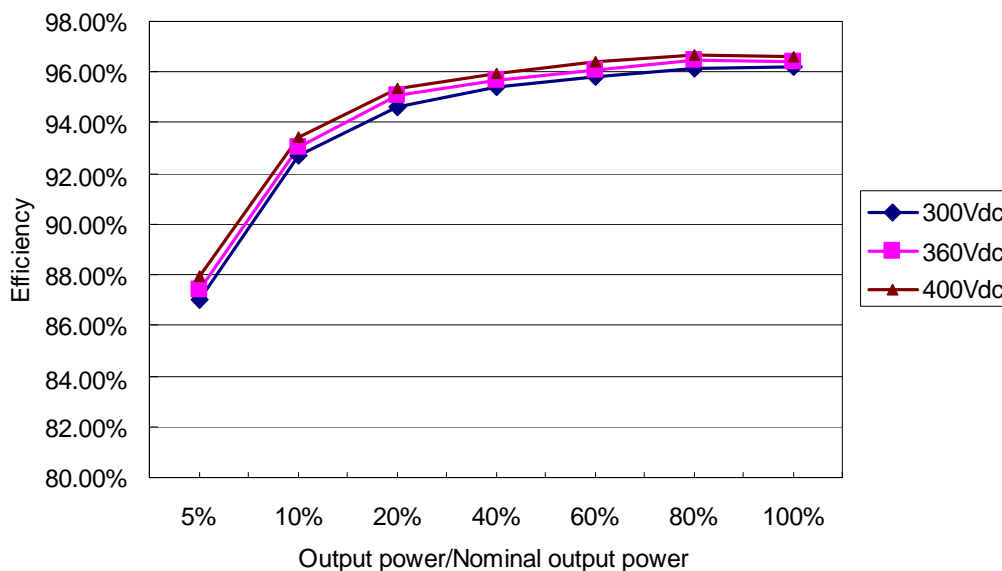


Block diagram and typical efficiency curve

Block diagram



Efficiency curve



CHARACTERISTICS	JSI-2000TL
Input Data(DC side)	
Max. DC power	2300W
Max. DC voltage	500Vdc
MPPT Operating range	100~450Vdc
Number of parallel inputs	2
Number of MPPT trackers	1
Max. input current (total)	10A
Output Data(AC side)	
Nominal output power	2000W
Max. Output power	2200W
Nominal output current	8.7A
Max. output current	10.5A
Nominal AC voltage	230Vac
AC voltage range *	190~265Vac
Nominal AC grid frequency	50Hz
AC grid frequency range*	50 ± 5 Hz
Power factor(cos φ)	>0.99
Harmonic distortion(THDI)	<3%(at nominal output power)
Efficiency	
Max. efficiency	>96%
Euro efficiency	>95%
MPPT efficiency	>99%
General data	
Dimensions (W / D / H)	345*162*354 mm
Net weight	15Kg
Operating temperature range	-25 °C ~ +60 °C
Noise emission (typical)	≤ 25 dB(A)
Power consumption at night	0 W
Electrical isolation	Transformer-less
Cooling concept	Natural cooling
IP Code	IP65
Communication	RS-485/RS-232

* AC grid voltage range and frequency range depend on local standards.

MODEL SUMMARY

Model name	Output power
JSI-2000TL	2000W
JSI-2000TL-S	2000W

-S suffix indicate an integrated DC switch

STANDARDS AND CODES

JSI inverters comply with standards set for grid-tied operation, safety and electromagnetic compatibility including: VDE0126-1-1, DK5940, AS4777, IEC 62109-1, IEC62109-2, EN50178, EN61000, CE certification.