

DOME
3.6mm HIGH IMPACT ACRYLIC

BONDED EDPM
WASHER 4 OFF

PHILIPS PAN HEAD
STAINLESS 8-18 X 20
4 OFF

FOAM SEAL
6.9mm WIDE

MAXLIGHT 400
FLAT - ROUND FLASHING

DETAIL B
SCALE 2 : 1

INSULATED FOIL SEAL

CLAMP

K30 PT PHILIPS

DETAIL C
SCALE 1 : 1

CLAMP

K30 PT PHILIPS

DETAIL D
SCALE 1 : 1

GYPROCK CLAMP
8 OFF

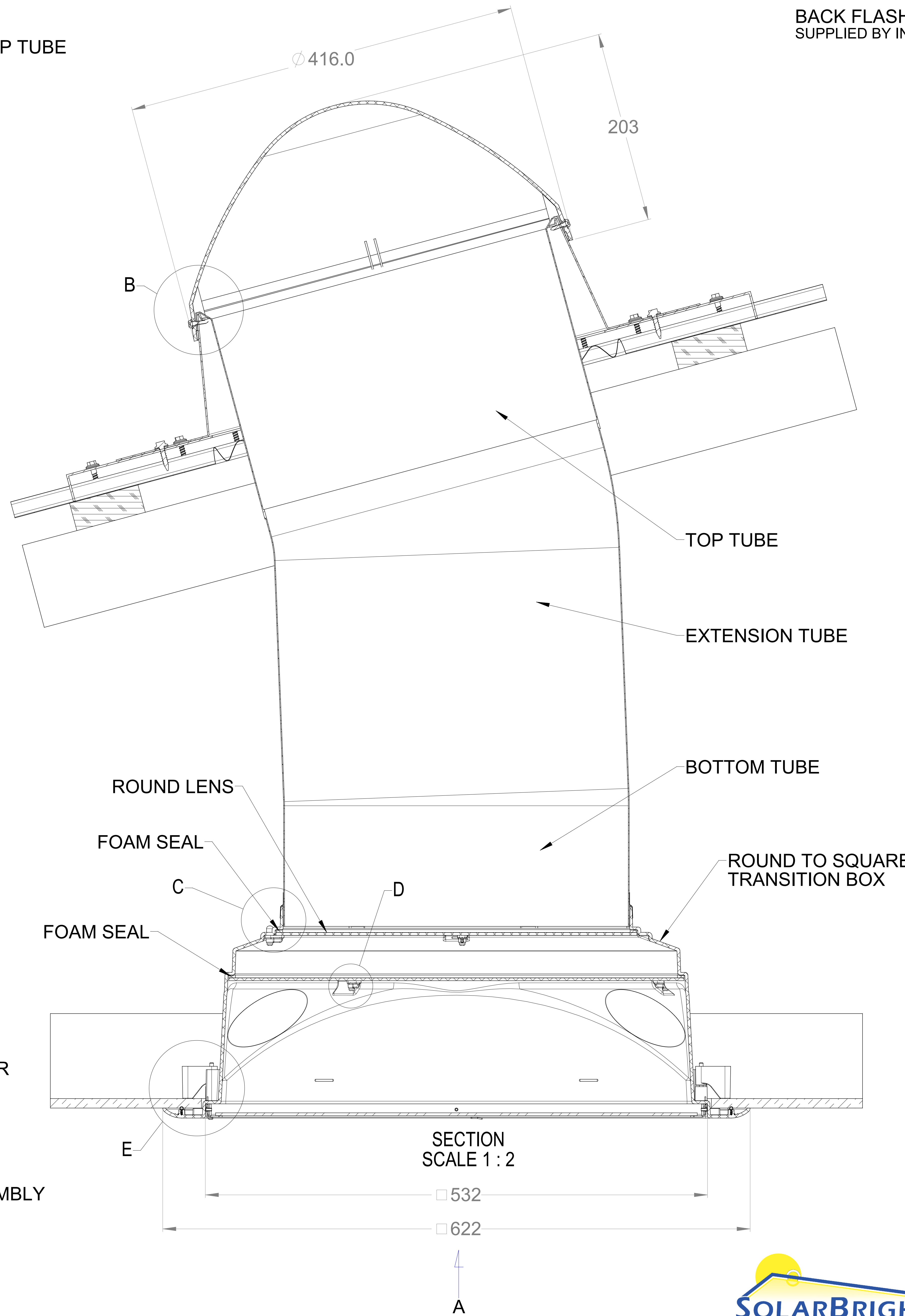
ROUND TO SQUARE
TRANSITION BOX

SEAL E113

DETAIL E
SCALE 1 : 1

SQUARE DIFFUSER

SQUARE FRAME ASSEMBLY



SECTION
SCALE 1 : 2

532

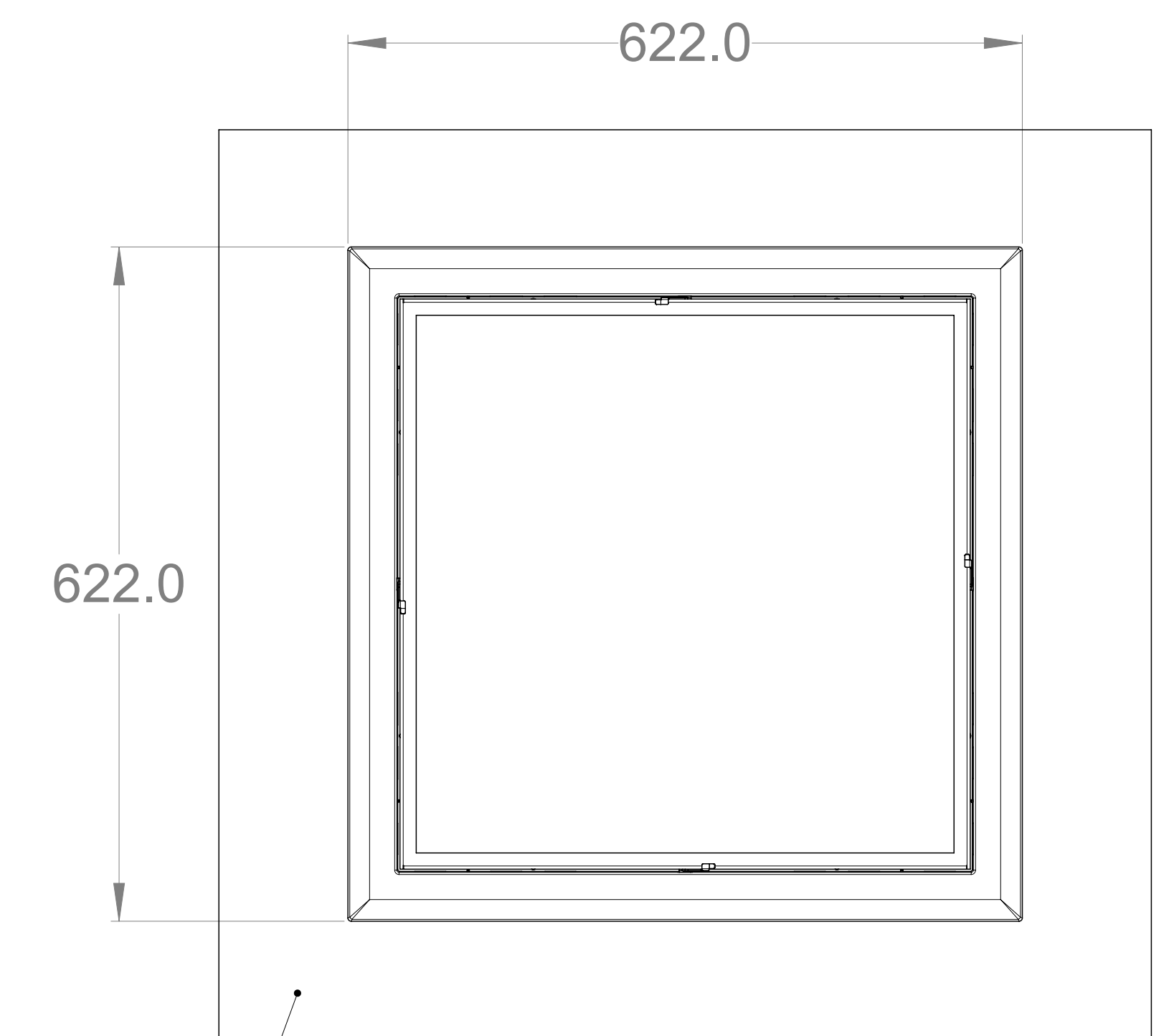
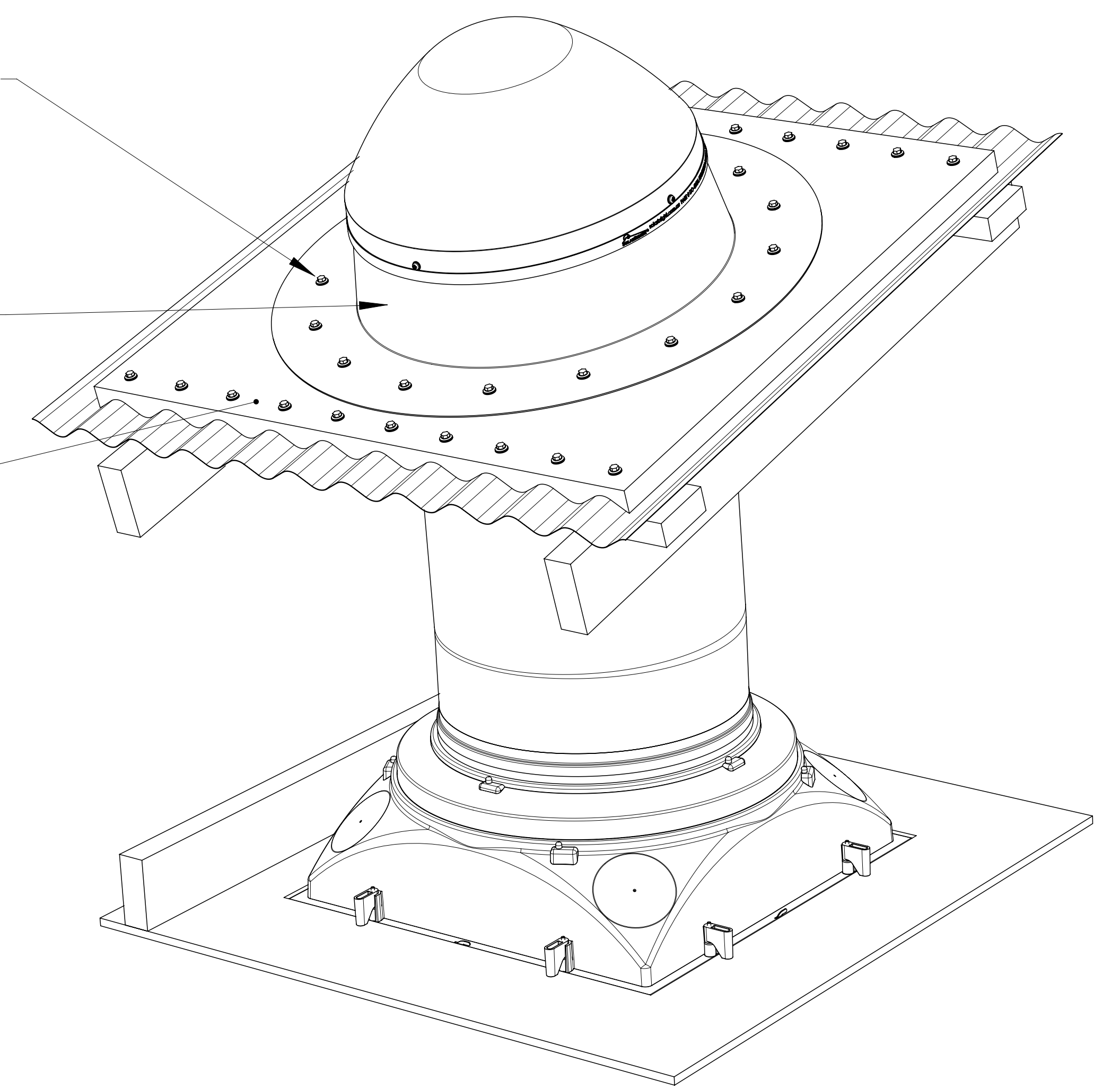
622

A

TEK SCREWS WITH SEAL
HEX HEAD 12-14 X 25
GALVANISED 16 OFF

MAXLIGHT 400
FLAT- ROUND FLASHING

BACK FLASH PAN
SUPPLIED BY INSTALLERS



GYPROCK CEILING

VIEW A
Underside

Components	Specs
Dome	3.6 mm High Impact Clear Acrylic
Top , Extension & Bottom Tubes	0.5mm Aluminium with 98% Reflectivity
Transition Box	ABS Designed to suit Gyprock Ceiling with surrounding Decor Trim
Square Diffuser	Acrylic Lens assembled in square Aluminium Frame

NOTES

- STRUCTURAL ELEMENTS SHOWN FOR REFERENCE ONLY
- ALL DIMENSIONS IN METRIC MM

Solar Bright International Pty Ltd

11 Progress Circuit. Prestons. NSW. 2170 Australia.

ALL DIM IN MM DO NOT SCALE 3RD ANGLE PROJECTION AS1100 THIS PRINT Thursday, 24 August 2017 10:40:08 AM

THIS IS THE CONTROL DRAWING FOR THE CAD FILE: DRAWINGNAME-REVISION.EXTENSION SHEET SIZE SHEET NUMBER SHEET SCALE

GENERAL TOLERANCES (UNLESS OTHERWISE STATED): X = ±1.000 X,XX = ±0.025 (X) = REF. DIM. A0 1 / 1 NA

DRAWING NAME REVISION

MAXLIGHT 400H UNIVERSAL
FOR GYPROCK - HARD CEILING

A

