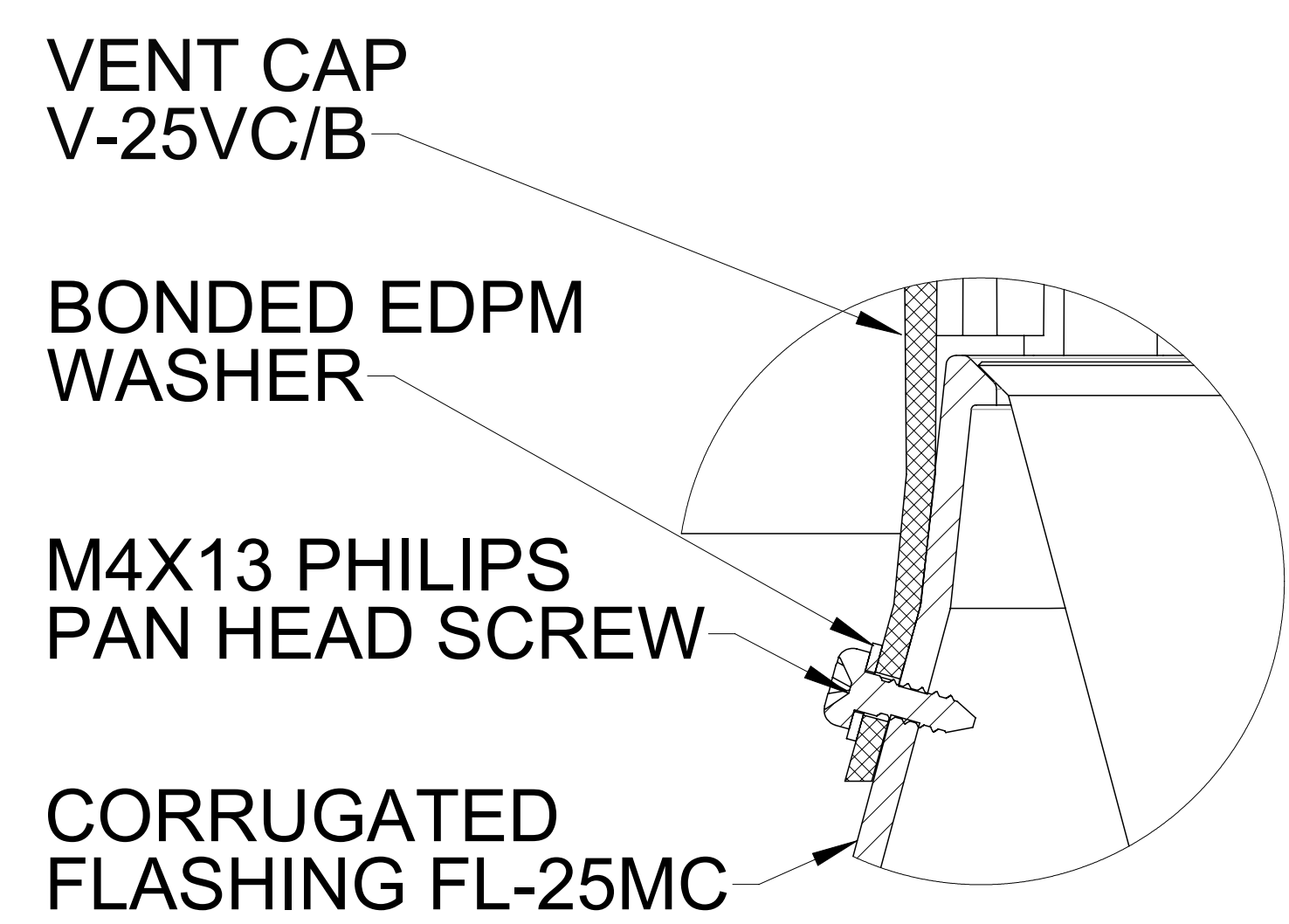
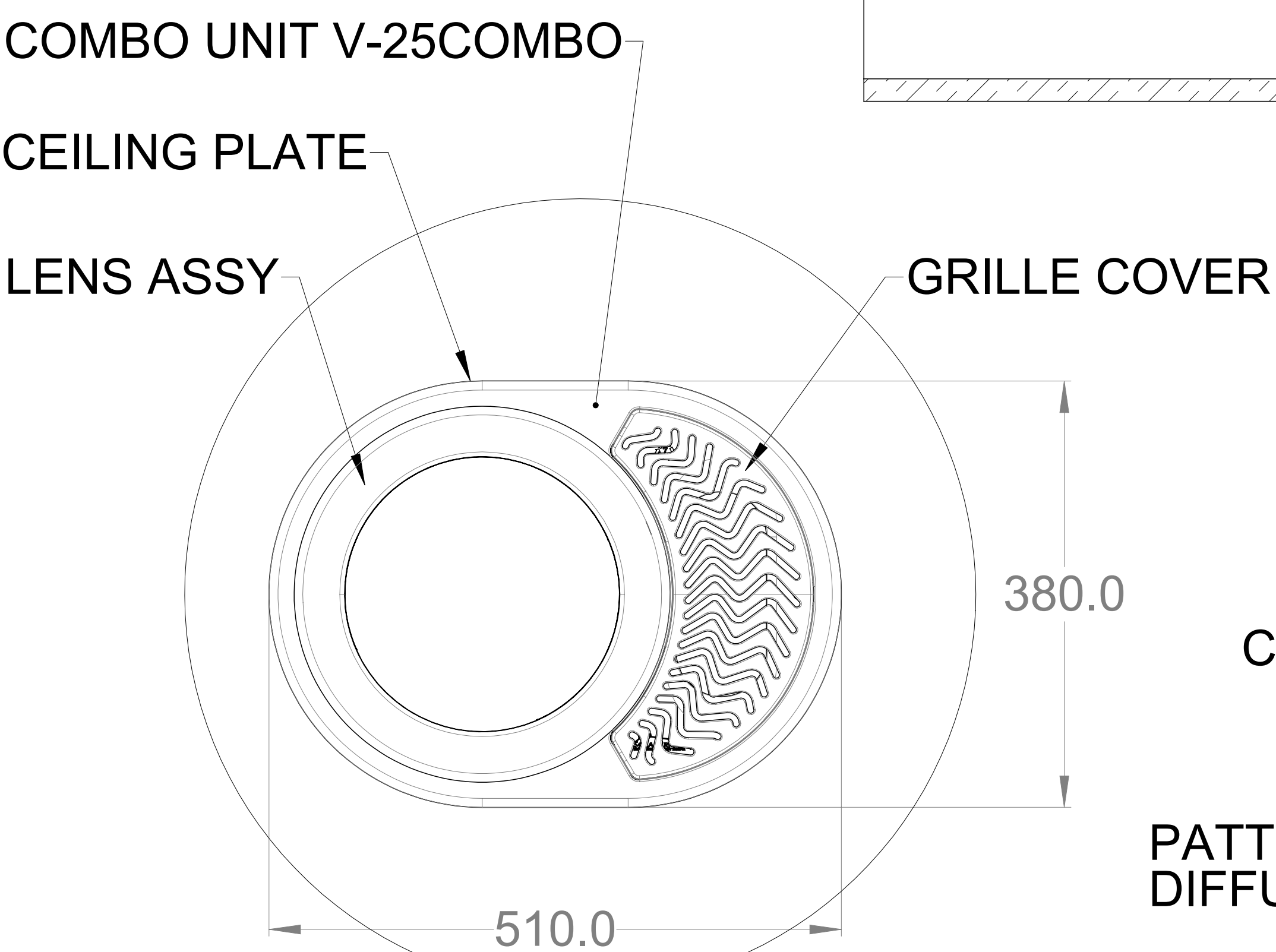


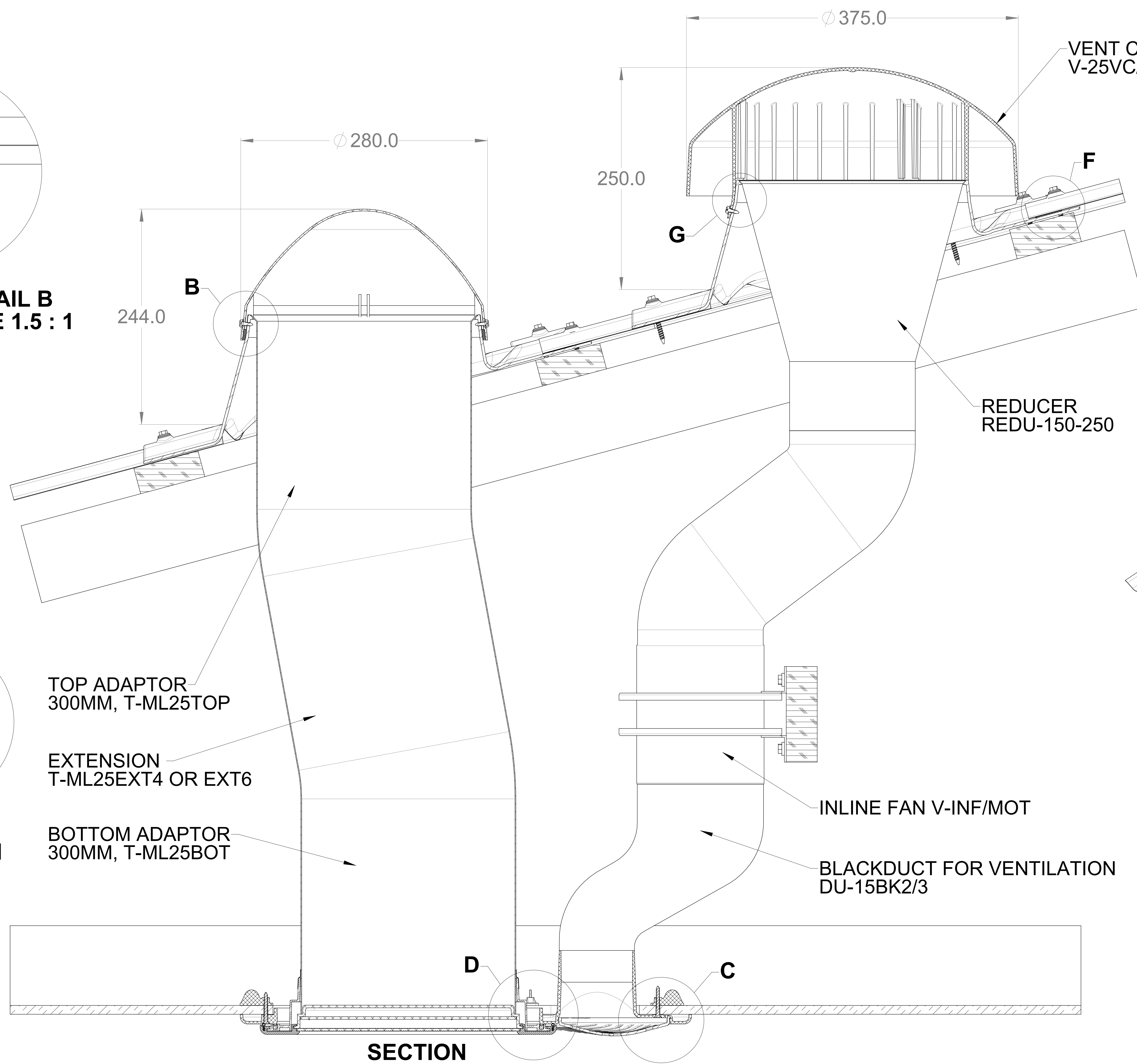
**DETAIL B
SCALE 1.5 : 1**



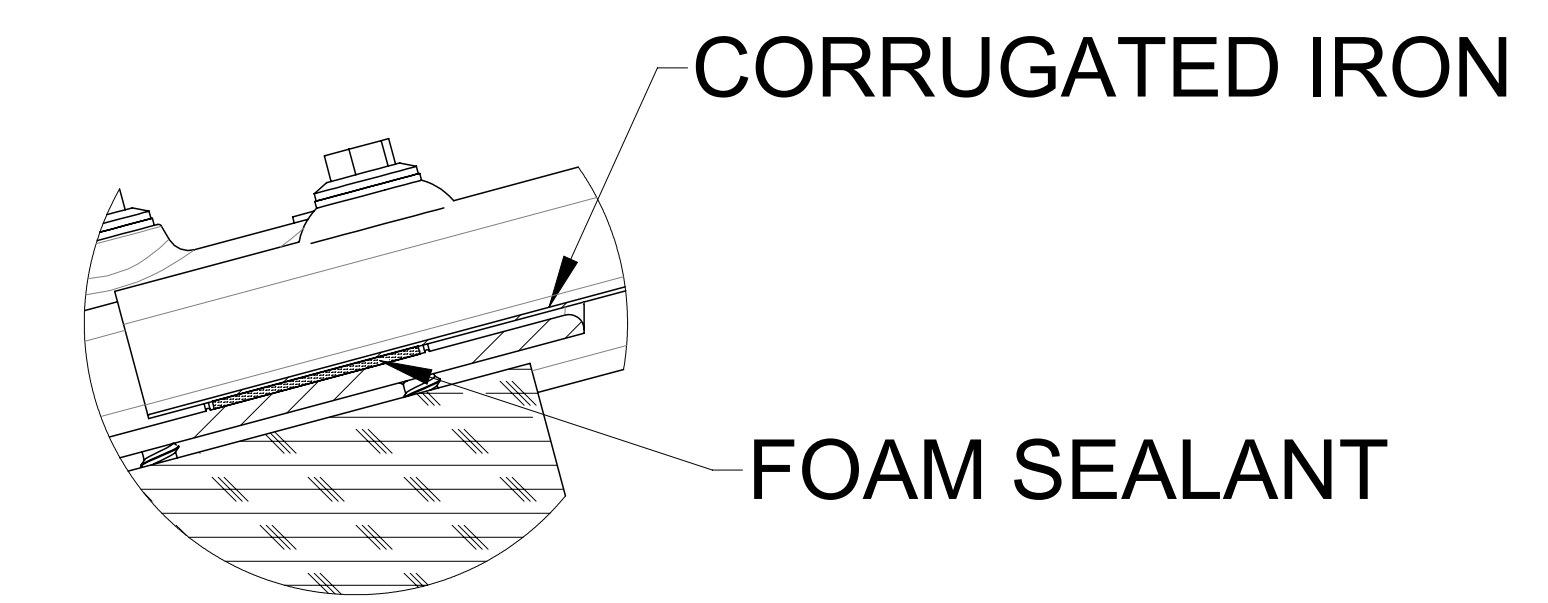
**DETAIL G
SCALE 1.5 : 1**



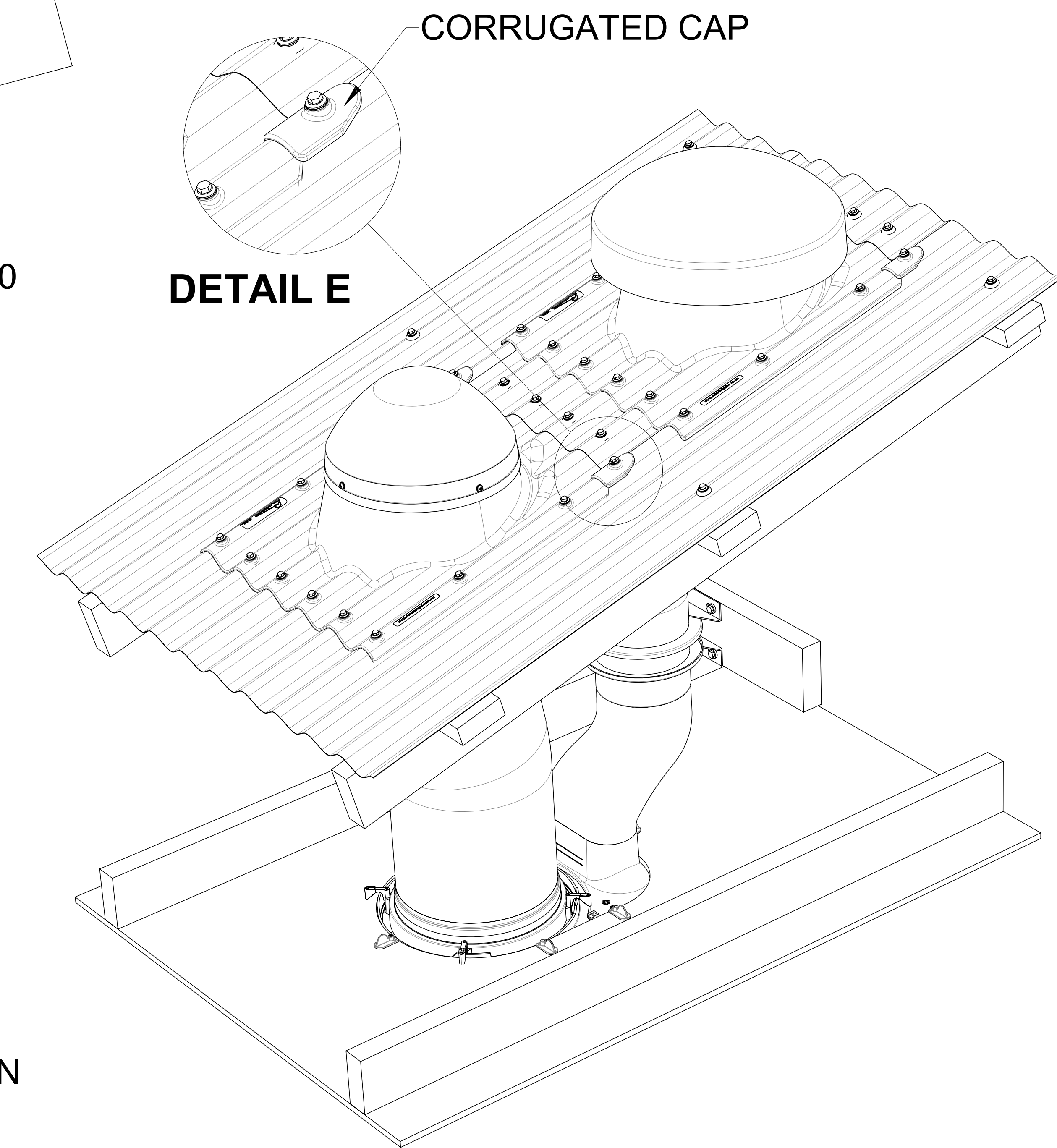
BOTTOM VIEW



SECTION



**DETAIL F
SCALE 1 : 1**



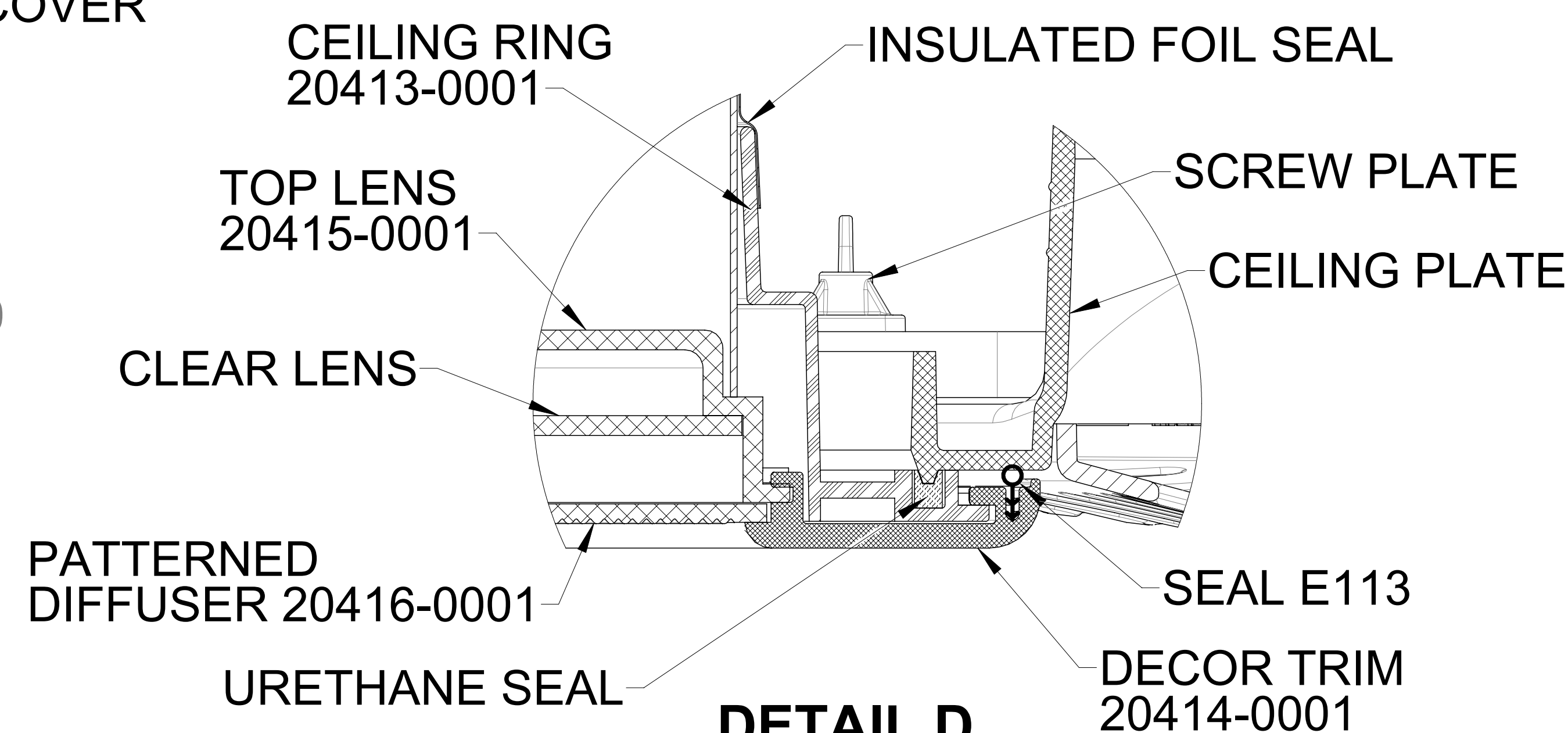
DETAIL E

TOP ADAPTOR
300MM, T-ML25TOP
EXTENSION
T-ML25EXT4 OR EXT6
BOTTOM ADAPTOR
300MM, T-ML25BOT

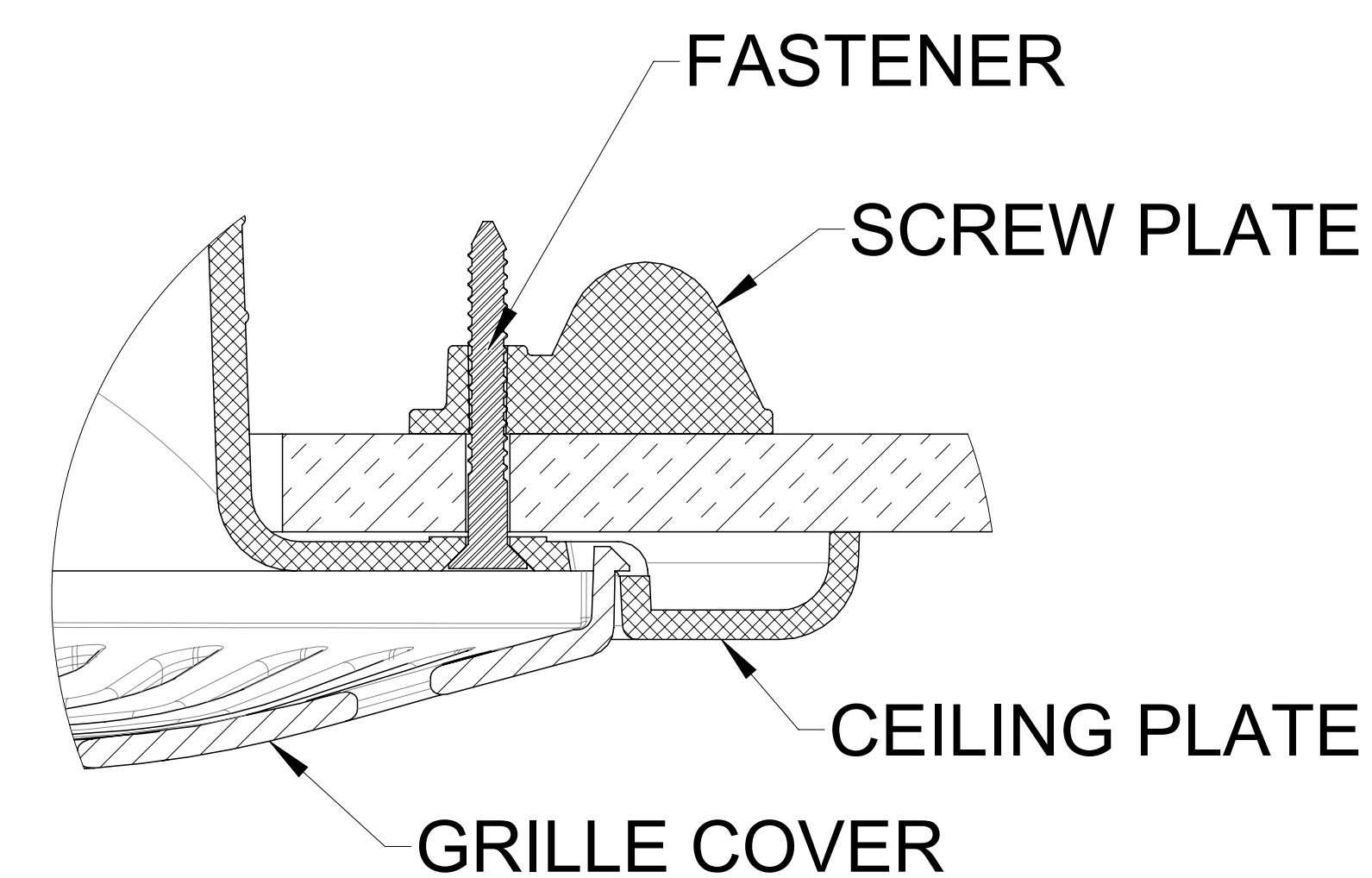
REDUCER
REDU-150-250

INLINE FAN V-INF/MOT

BLACKDUCT FOR VENTILATION
DU-15BK2/3



**DETAIL D
SCALE 1.5 : 1**



**DETAIL C
SCALE 1.5 : 1**

NOTES

1. STRUCTURAL ELEMENTS SHOWN FOR REFERENCE ONLY
2. ALL DIMENSIONS IN METRIC MM



SOLAR BRIGHT AUSTRALIA PTY LTD

11 Progress Circuit, Prestons, NSW, 2170 Australia.

ALL DIM IN MM	DO NOT SCALE	3RD ANGLE PROJECTION	AS1100	THIS PRINT	Thursday, 29 June 2023 9:59:55 AM
THIS IS THE CONTROL DRAWING FOR THE CAD FILE: DRAWINGNAME-REVISION.EXTENSION				SHEET SIZE	SHEET NUMBER
GENERAL TOLERANCES (UNLESS OTHERWISE STATED):				A0	1 / 1
X = ±1.000				XXX = ±0.025	1:5
X.X = ±0.250				(X) = REF. DIM.	REVISION

DRAWING NAME

**MAXLIGHT 250 COMBO VENT CORRUGATED
FOR GYPSUM - HARD CEILING**

C