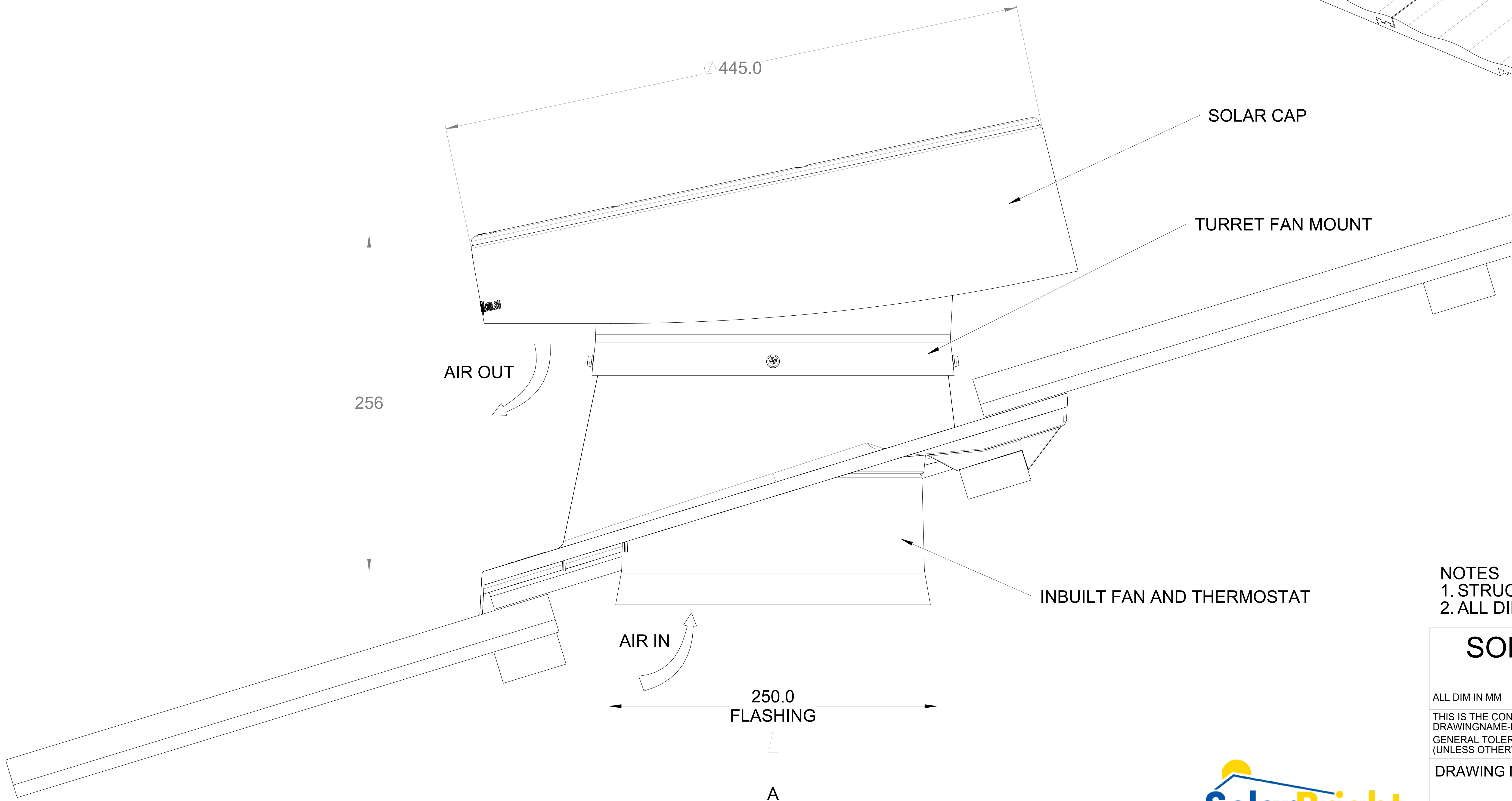
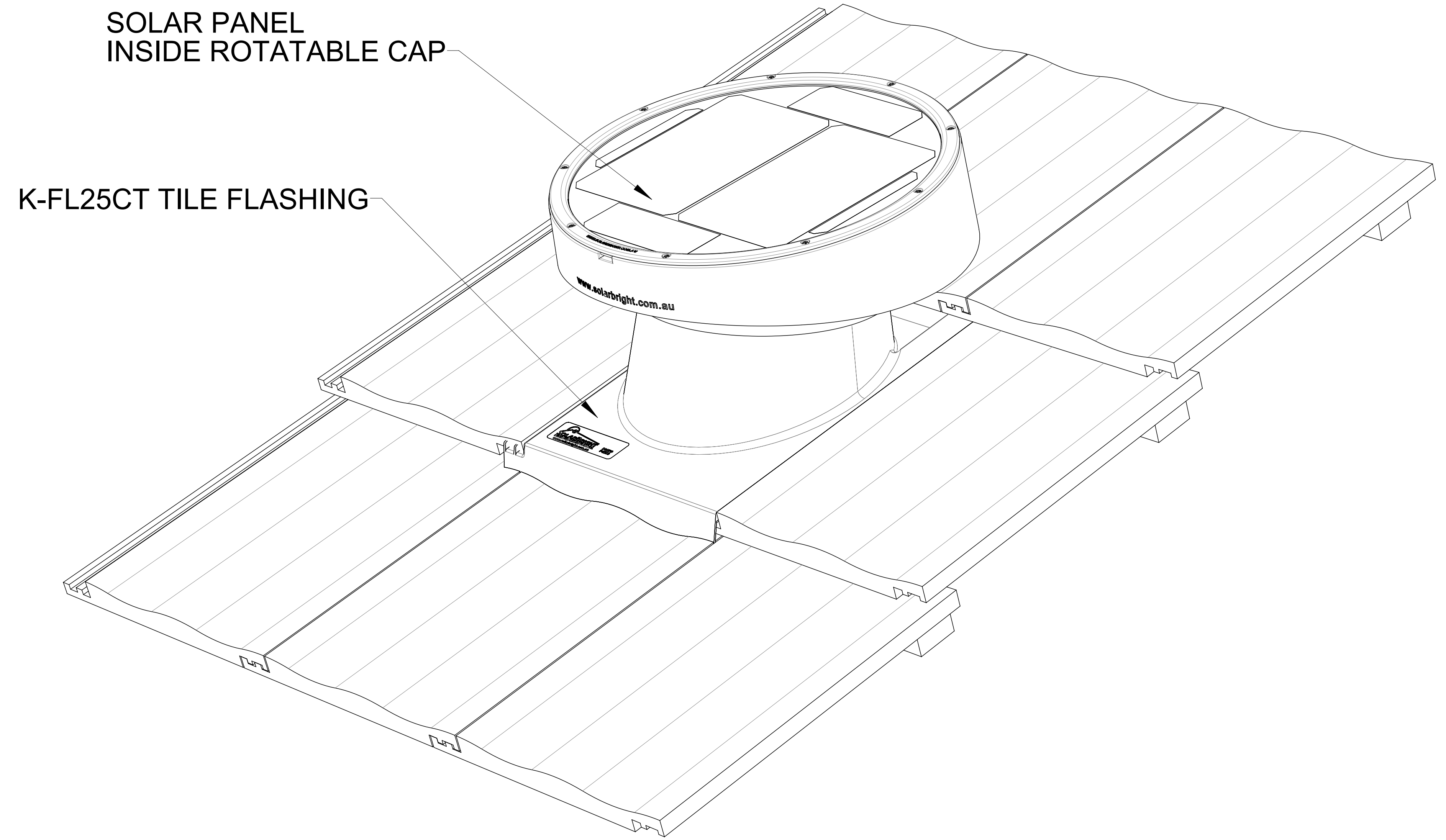


VIEW A
Underside

SOLAR PANEL SHOULD BE FREE OF SHADE
PITCHED AND FACING NORTH
(SOUTHERN HEMISPHERE)



- NOTES
 1. STRUCTURAL ELEMENTS SHOWN FOR REFERENCE ONLY
 2. ALL DIMENSIONS IN METRIC MM

SOLAR BRIGHT AUSTRALIA PTY LTD

11 Progress Circuit. Prestons. NSW. 2170 Australia.

ALL DIM IN MM	DO NOT SCALE	3RD ANGLE PROJECTION	AS1100	THIS PRINT	Saturday, 19 August 2023 3:10:15 PM
THIS IS THE CONTROL DRAWING FOR THE CAD FILE: DRAWINGNAME-REVISION.EXTENSION				SHEET SIZE	SHEET NUMBER
GENERAL TOLERANCES (UNLESS OTHERWISE STATED):				A0	1 / 1
X = ±1.000 XX = ±0.250				NA	REVISION
X.XX = ±0.025 (X) = REF. DIM.					A

DRAWING NAME	MAXBREEZE 250mm - Concrete Tile
--------------	---------------------------------

