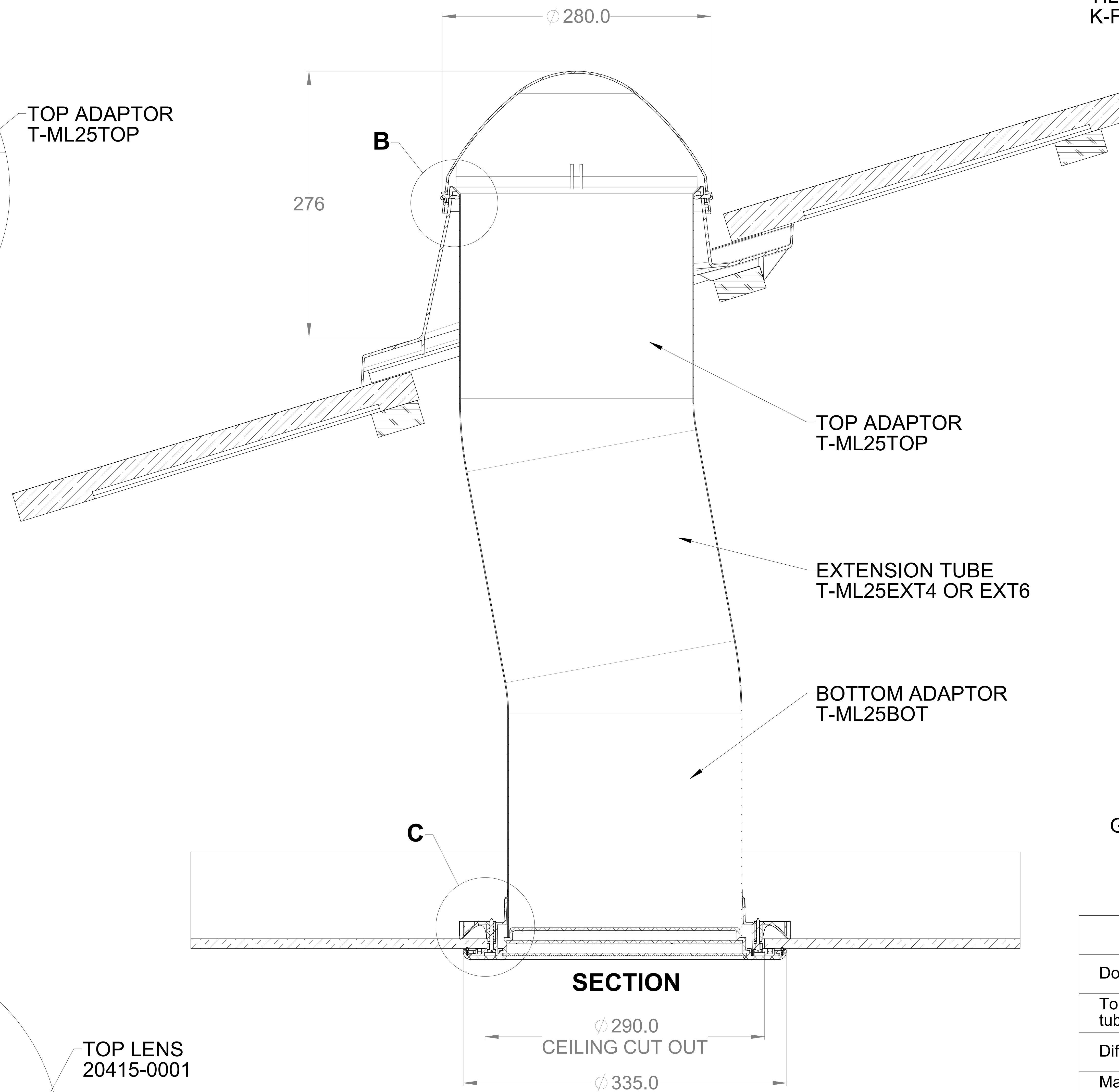


DETAIL B
SCALE 2 : 1

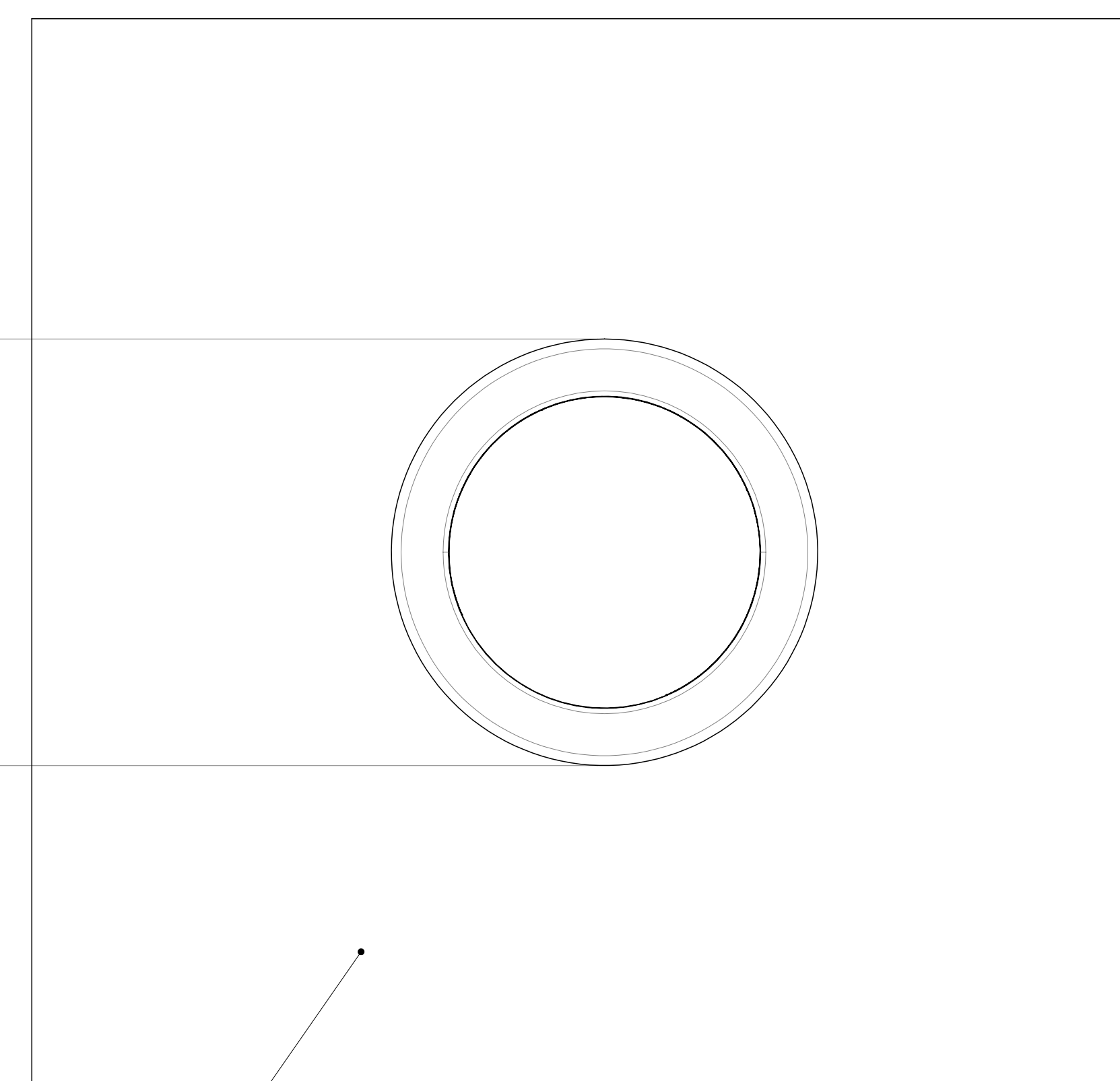
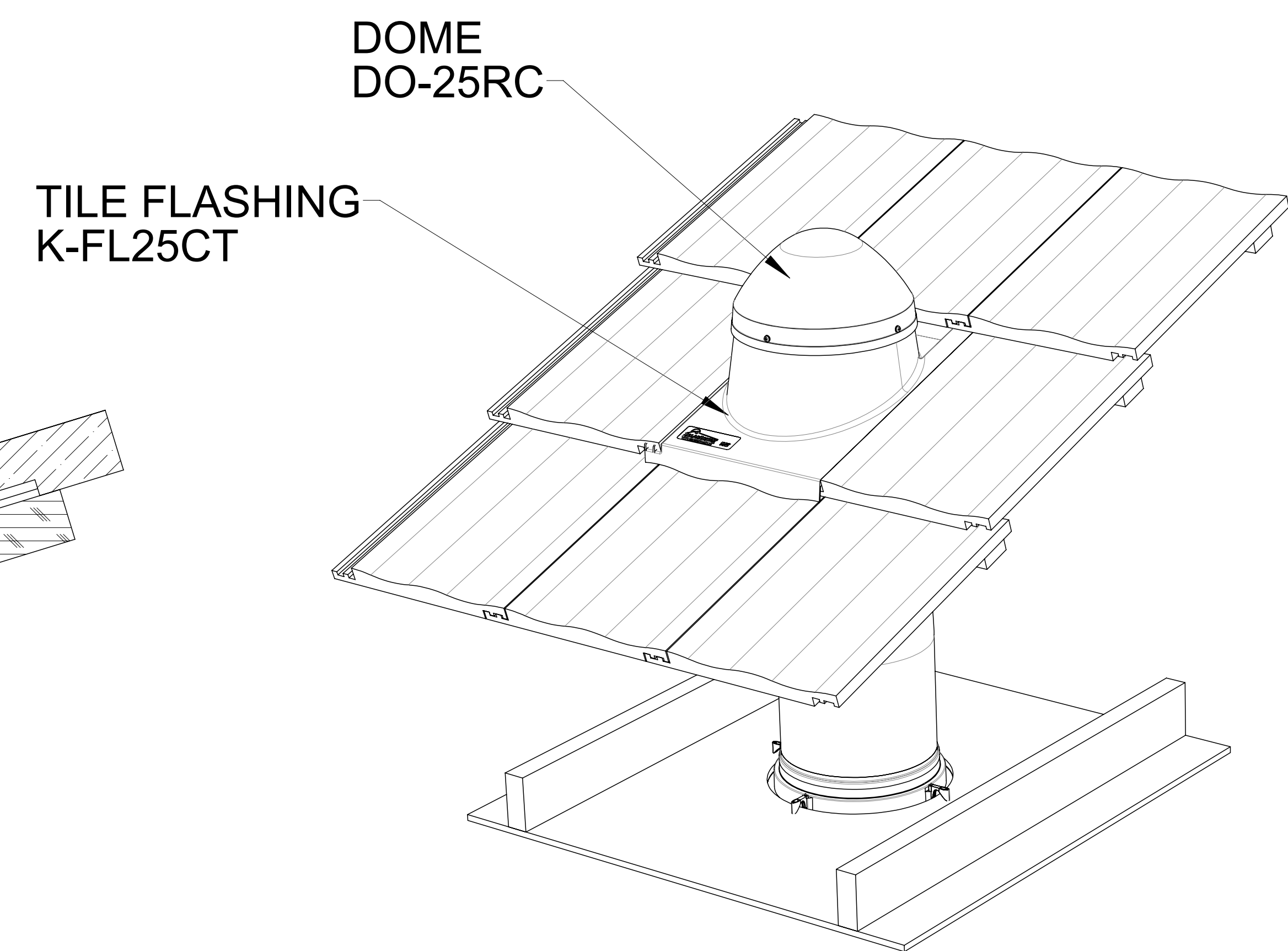


SECTION

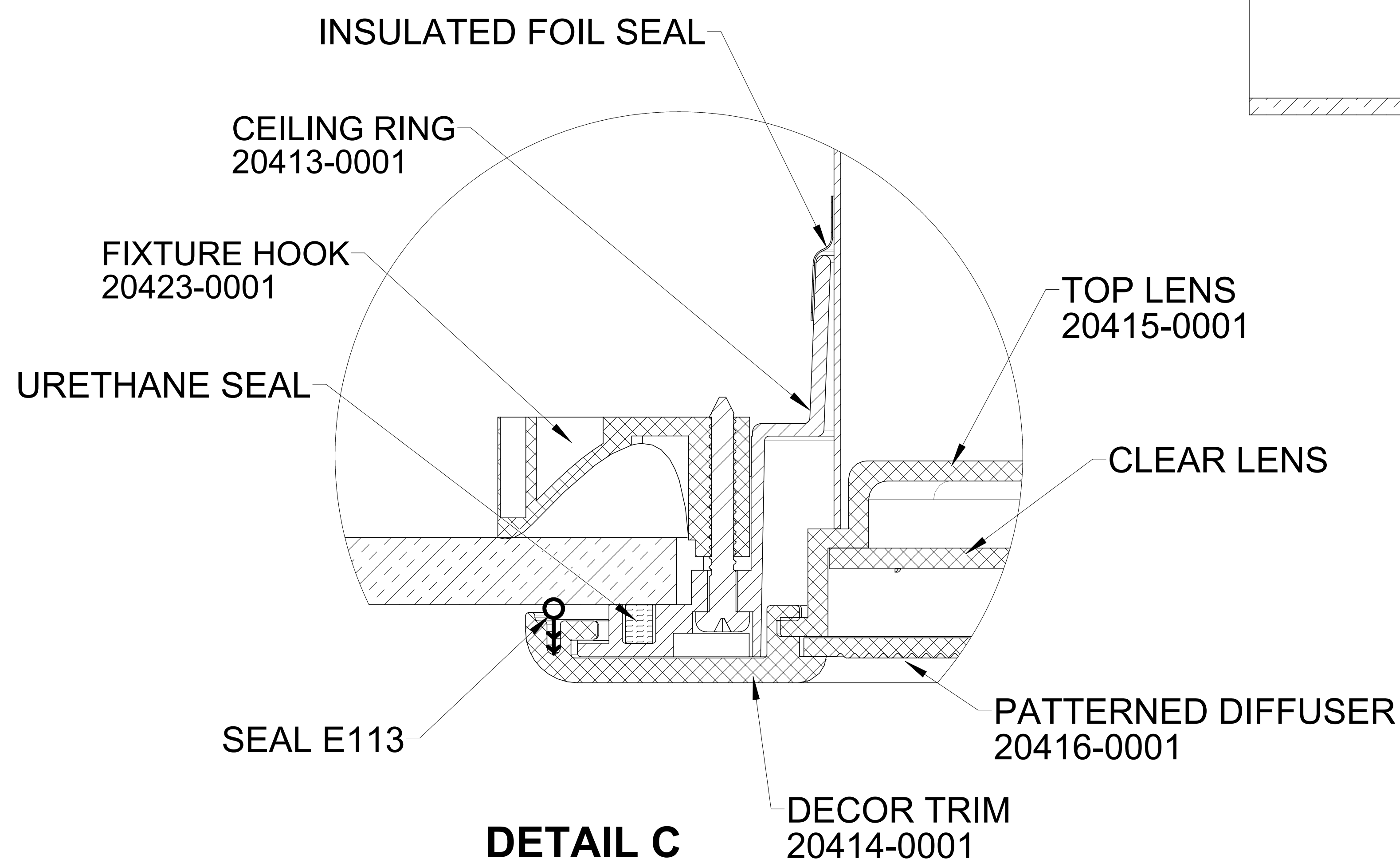
Ø 290.0
CEILING CUT OUT

Ø 335.0

A



VIEW A
Underside



DETAIL C
SCALE 2 : 1

Components	Specs
Dome	3.6mm High Impact Clear Acrylic.
Top, Extension & Bottom tubes	0.5mm Aluminium with 98% reflectivity.
Diffuser Kit	Acrylic Lens in Decor Trim
Maxlight 250 Tile Flashing	Polypropylene

- NOTES**
 1. STRUCTURAL ELEMENTS SHOWN FOR REFERENCE ONLY
 2. ALL DIMENSIONS IN METRIC MM

SOLAR BRIGHT AUSTRALIA PTY LTD

11 Progress Circuit. Prestons. NSW. 2170 Australia.

ALL DIM IN MM DO NOT SCALE 3RD ANGLE PROJECTION AS1100 THIS PRINT	Tuesday, 27 June 2023 5:36:46 PM
THIS IS THE CONTROL DRAWING FOR THE CAD FILE: DRAWINGNAME-REVISION.EXTENSION	SHEET SIZE SHEET NUMBER SHEET SCALE
GENERAL TOLERANCES (UNLESS OTHERWISE STATED): X = ±1.000 X.X = ±0.250 X.XX = ±0.025 (X) = REF. DIM.	A0 1 / 1 NA

DRAWING NAME

MAXLIGHT 250 TILED
FOR GYPROCK - HARD CEILING

REVISION

B

