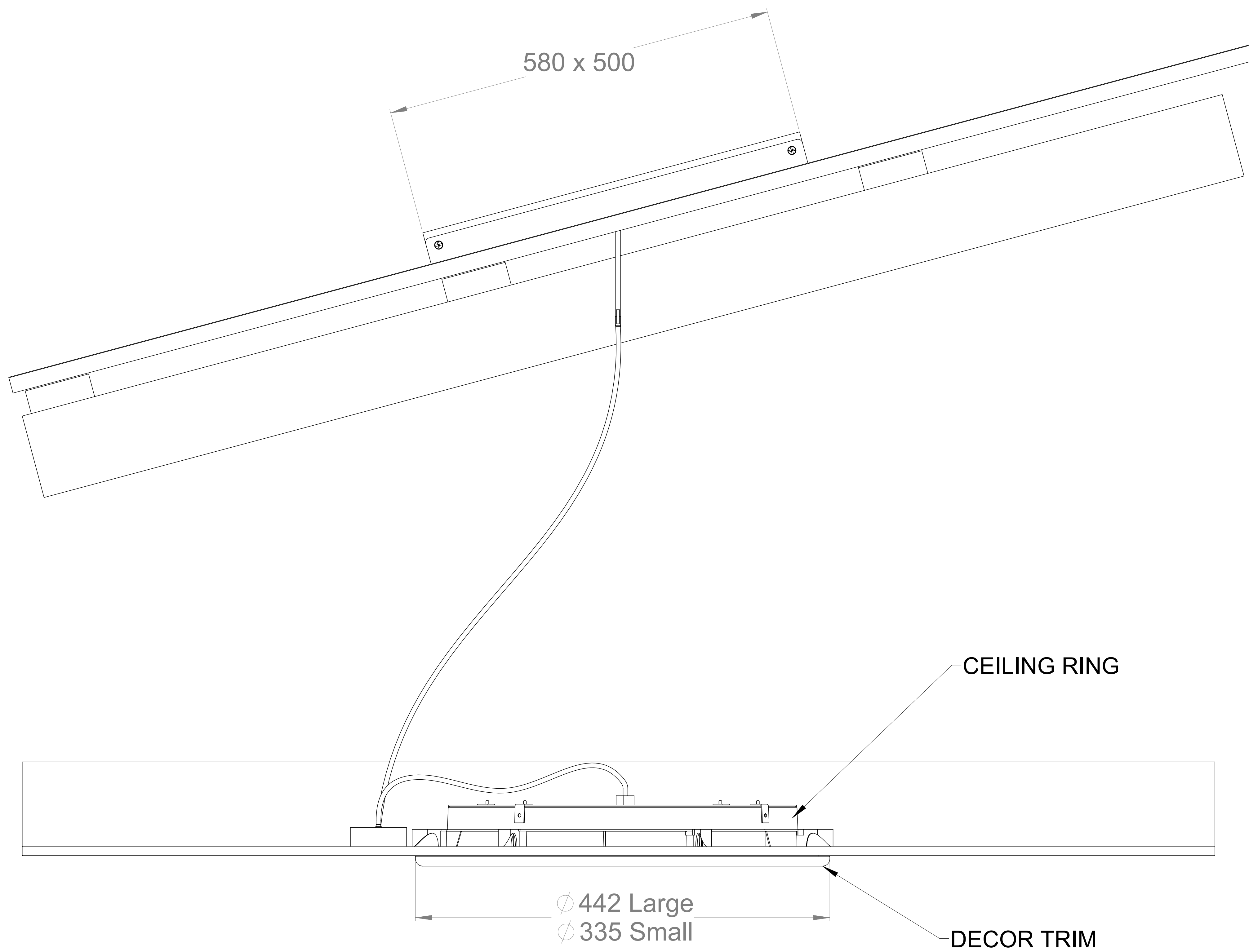


VIEW A  
UNDERSIDE

∅ 351 Large  
∅ 245 Small

∅ 442 Large  
∅ 335 Small



580 x 500

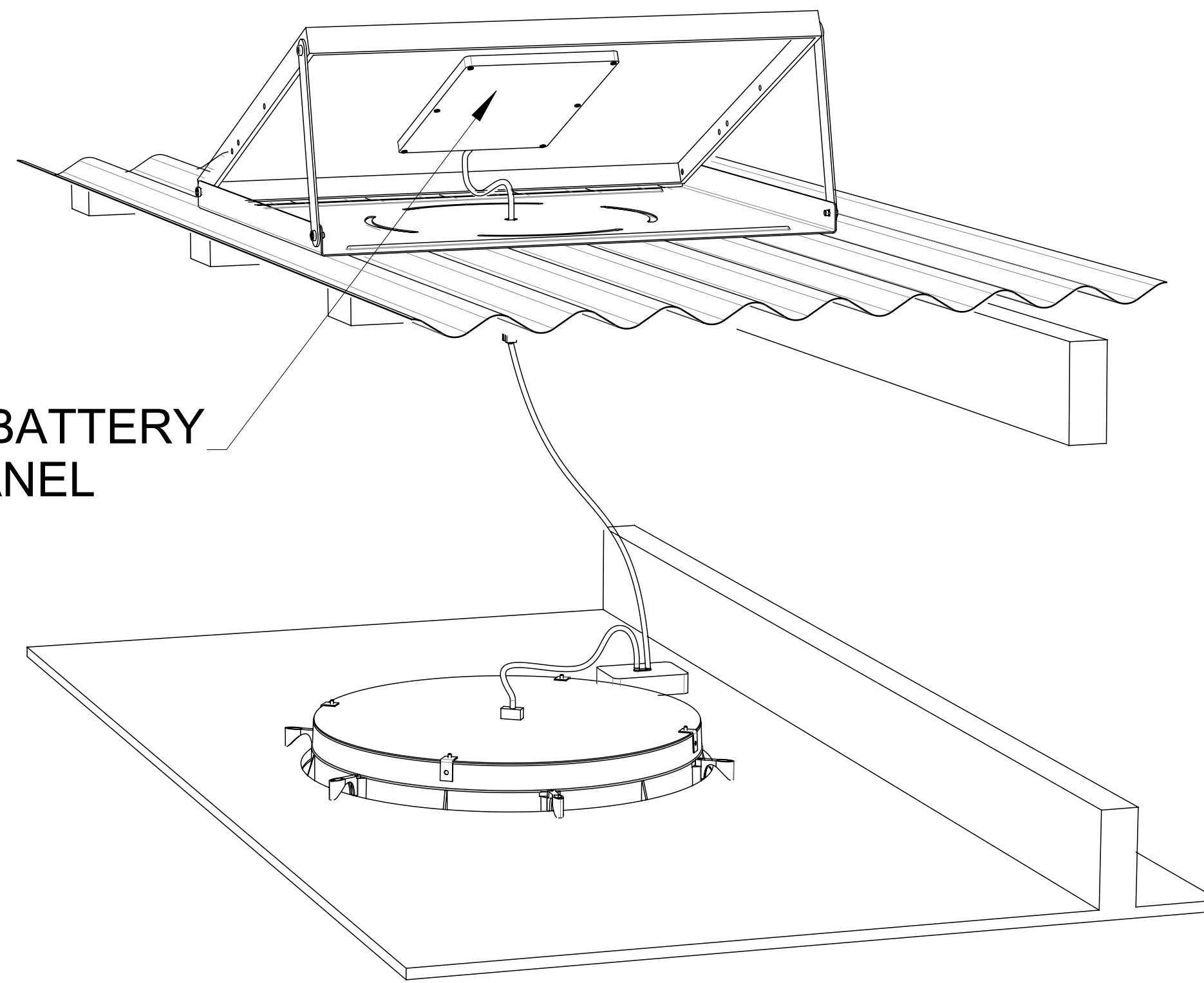
CEILING RING

∅ 442 Large  
∅ 335 Small

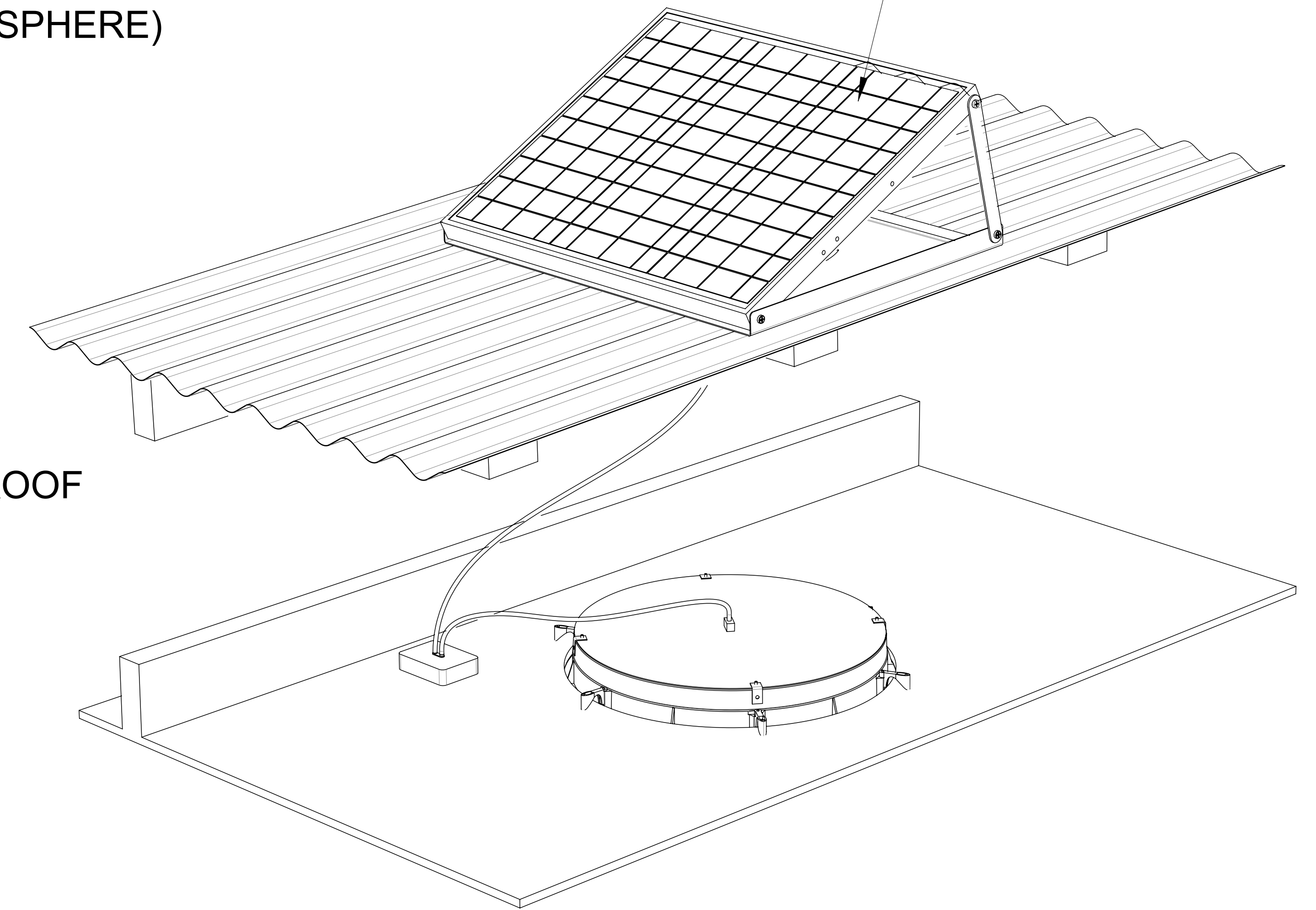
DECOR TRIM

A

SOLAR PANEL SHOULD BE FREE OF SHADE  
PITCHED AND FACING NORTH  
(SOUTHERN HEMISPHERE)



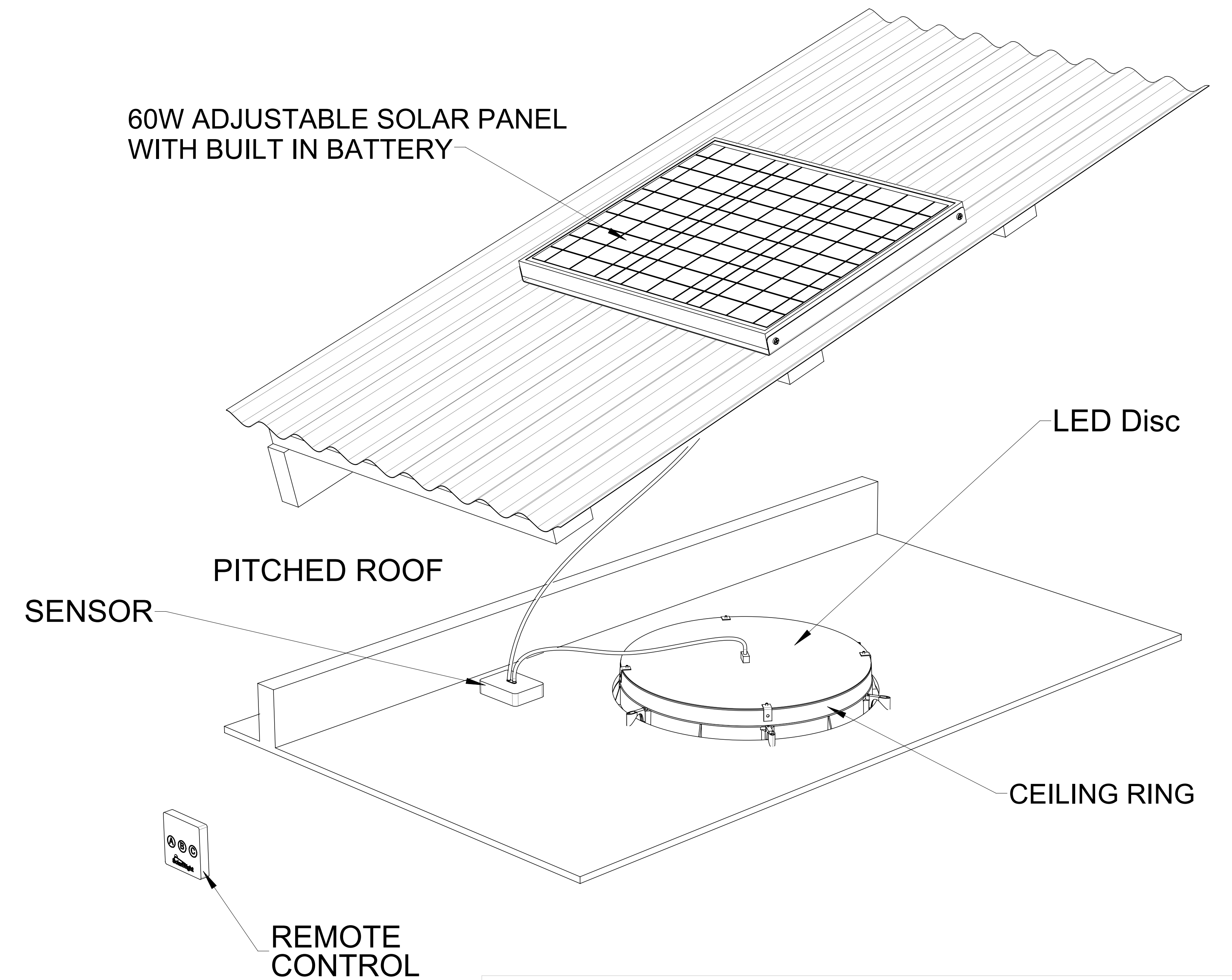
BUILT IN INTEGRATED BATTERY  
ON REAR OF SOLAR PANEL



60W ADJUSTABLE SOLAR PANEL  
WITH BUILT IN BATTERY

FLAT ROOF

60W ADJUSTABLE SOLAR PANEL  
WITH BUILT IN BATTERY



LED Disc

PITCHED ROOF

SENSOR

CEILING RING

REMOTE  
CONTROL

**SOLAR BRIGHT AUSTRALIA PTY LTD**

11 Progress Circuit. Prestons. NSW. 2170 Australia.

ALL DIM IN MM DO NOT SCALE 3RD ANGLE PROJECTION AS1100 THIS PRINT Monday, 14 August 2023 5:47:49 PM

THIS IS THE CONTROL DRAWING FOR THE CAD FILE: DRAWINGNAME-REVISION.EXTENSION SHEET SIZE SHEET NUMBER SHEET SCALE

GENERAL TOLERANCES (UNLESS OTHERWISE STATED): X = ±1.000 X.XX = ±0.025 (X) = REF. DIM. A0 1 / 1 NA

DRAWING NAME REVISION

**MaxLED-24**

Small = K-MLED250BAT  
Large = K-MLED400BAT

REVISION

A

