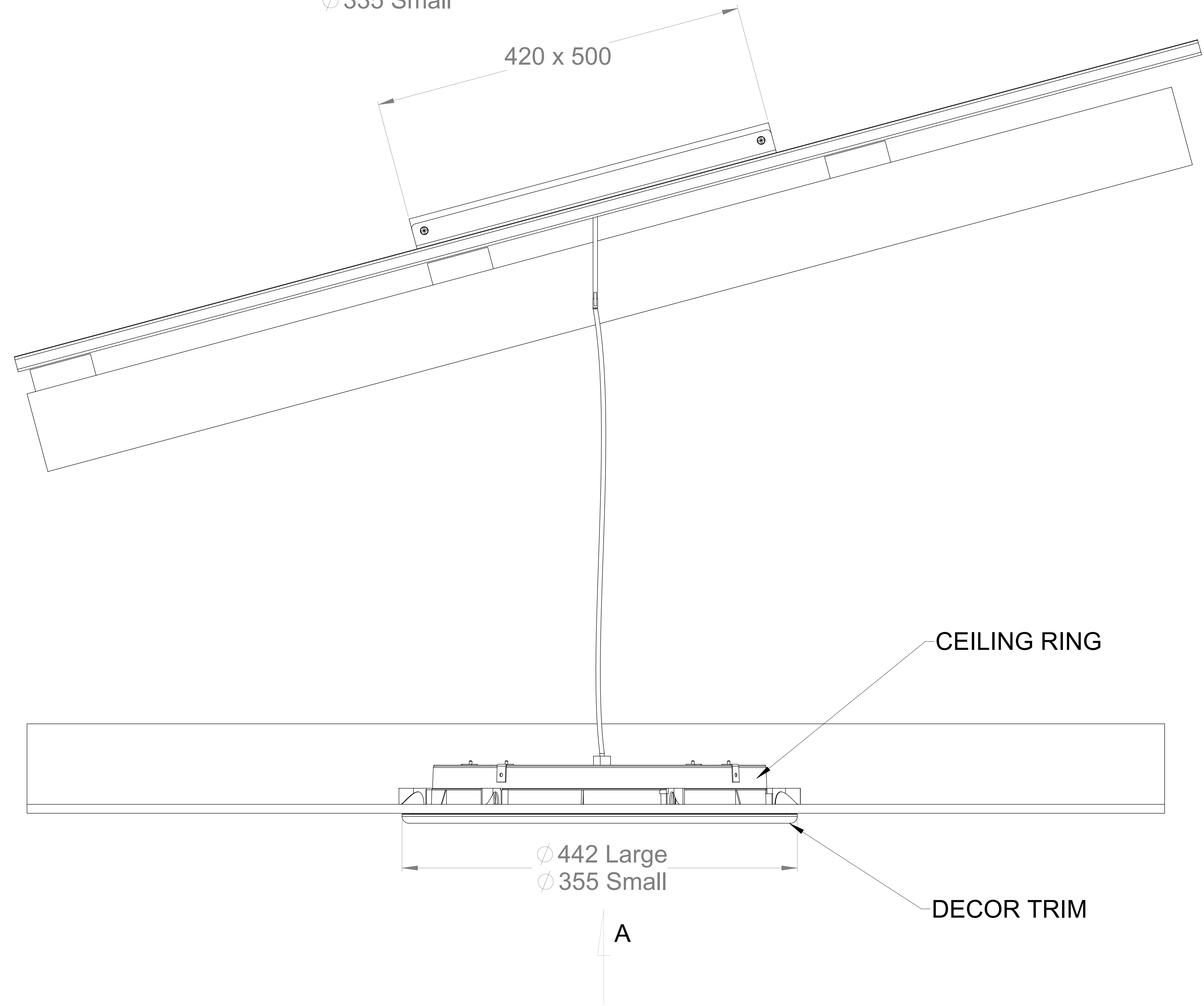
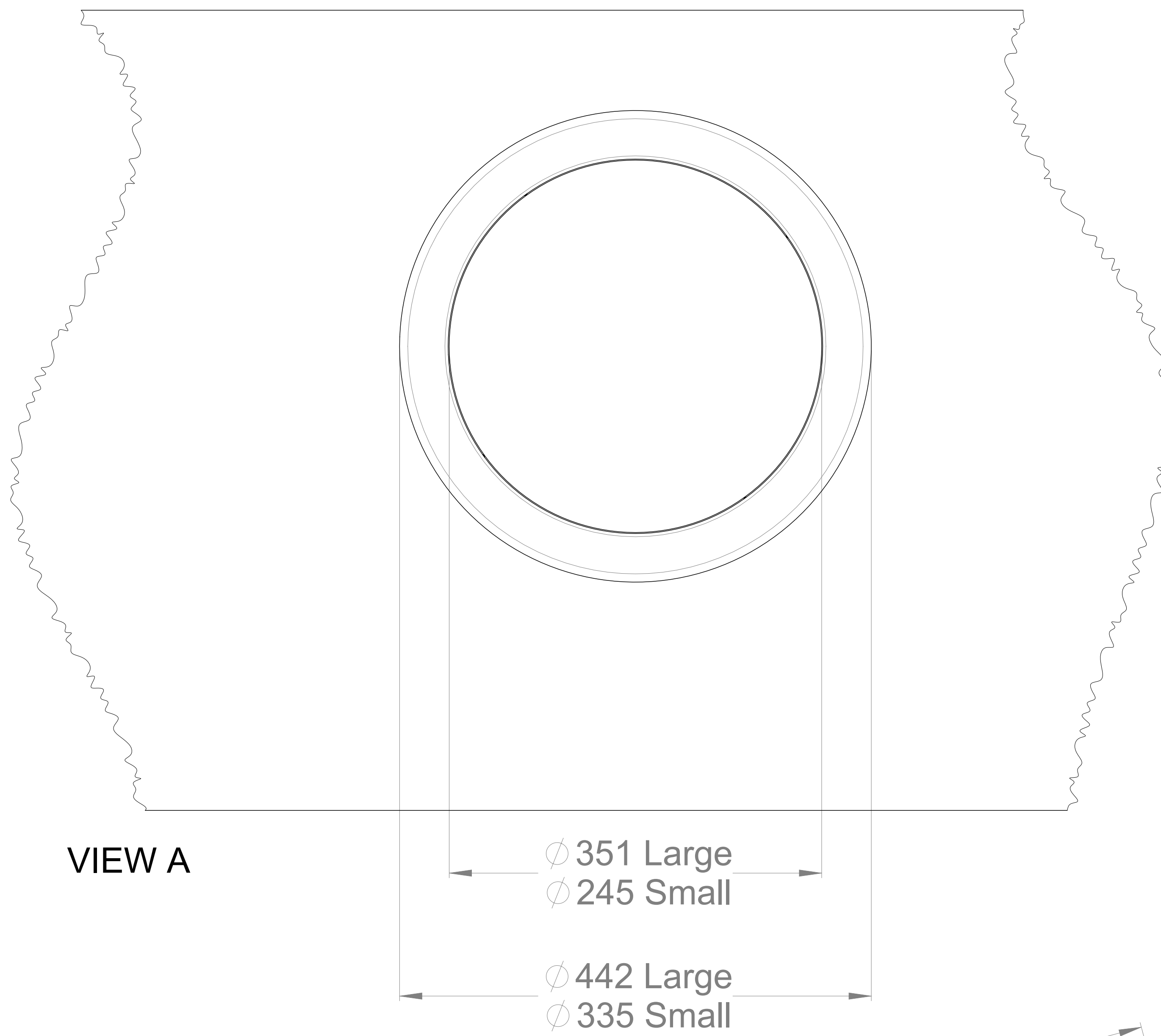
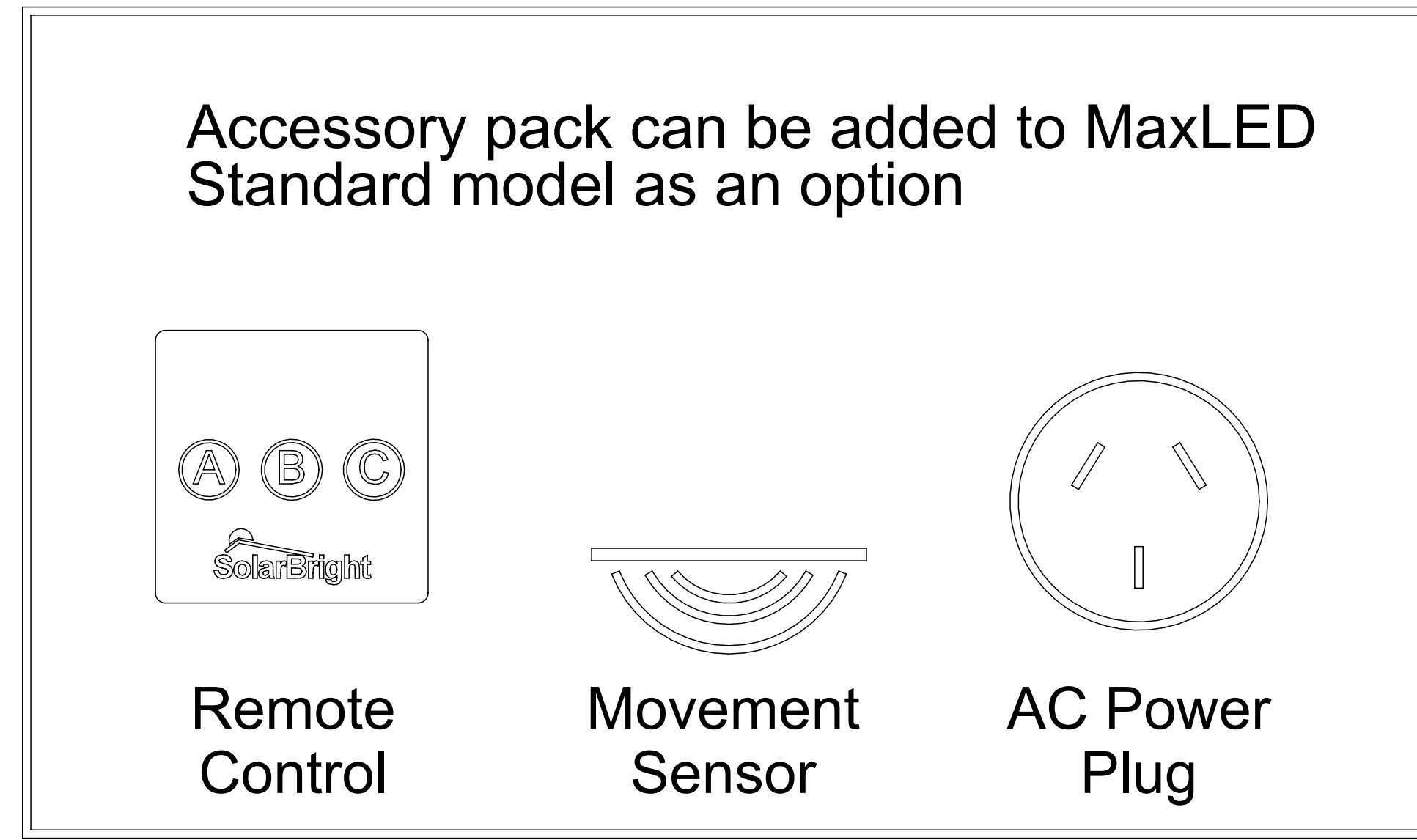
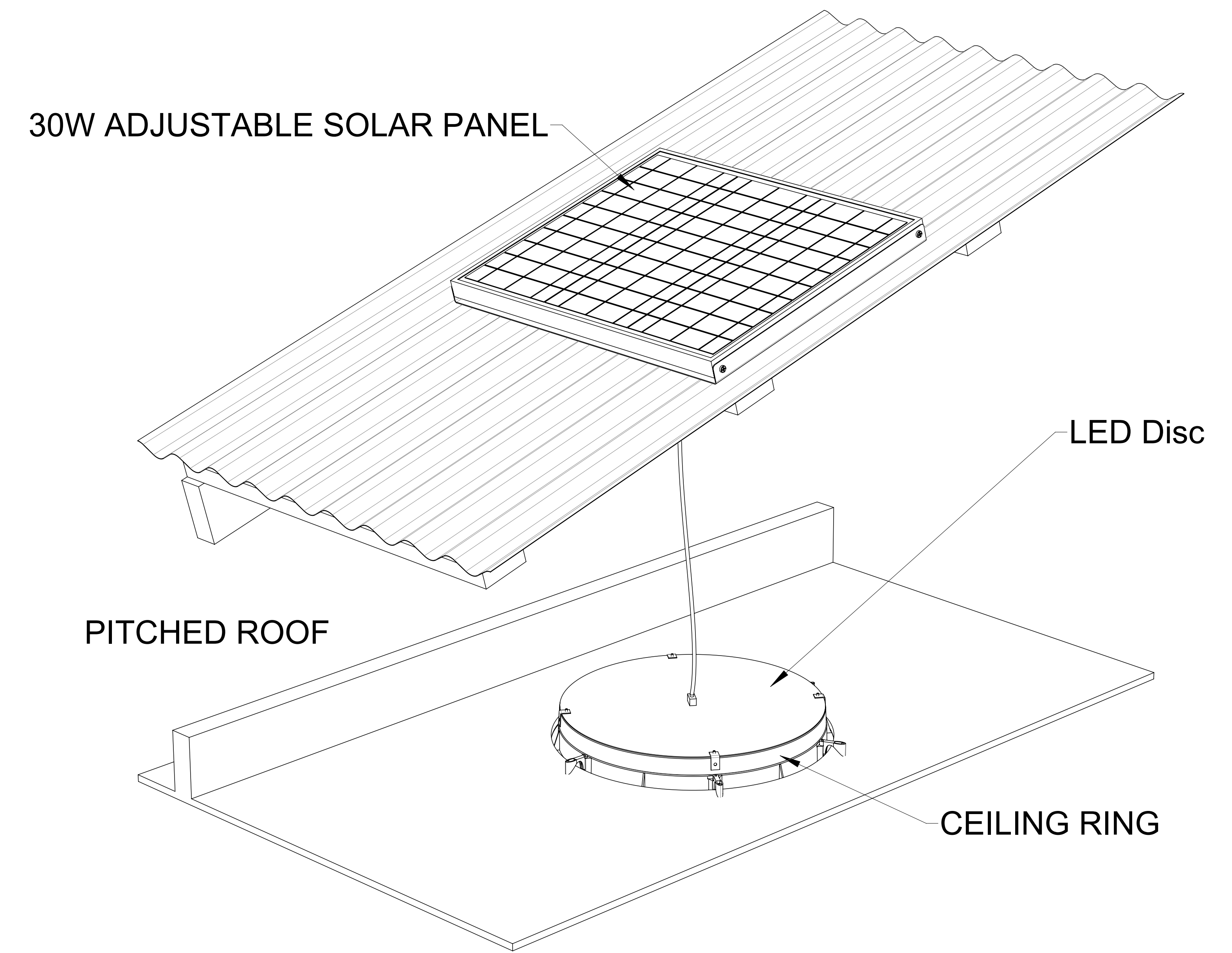
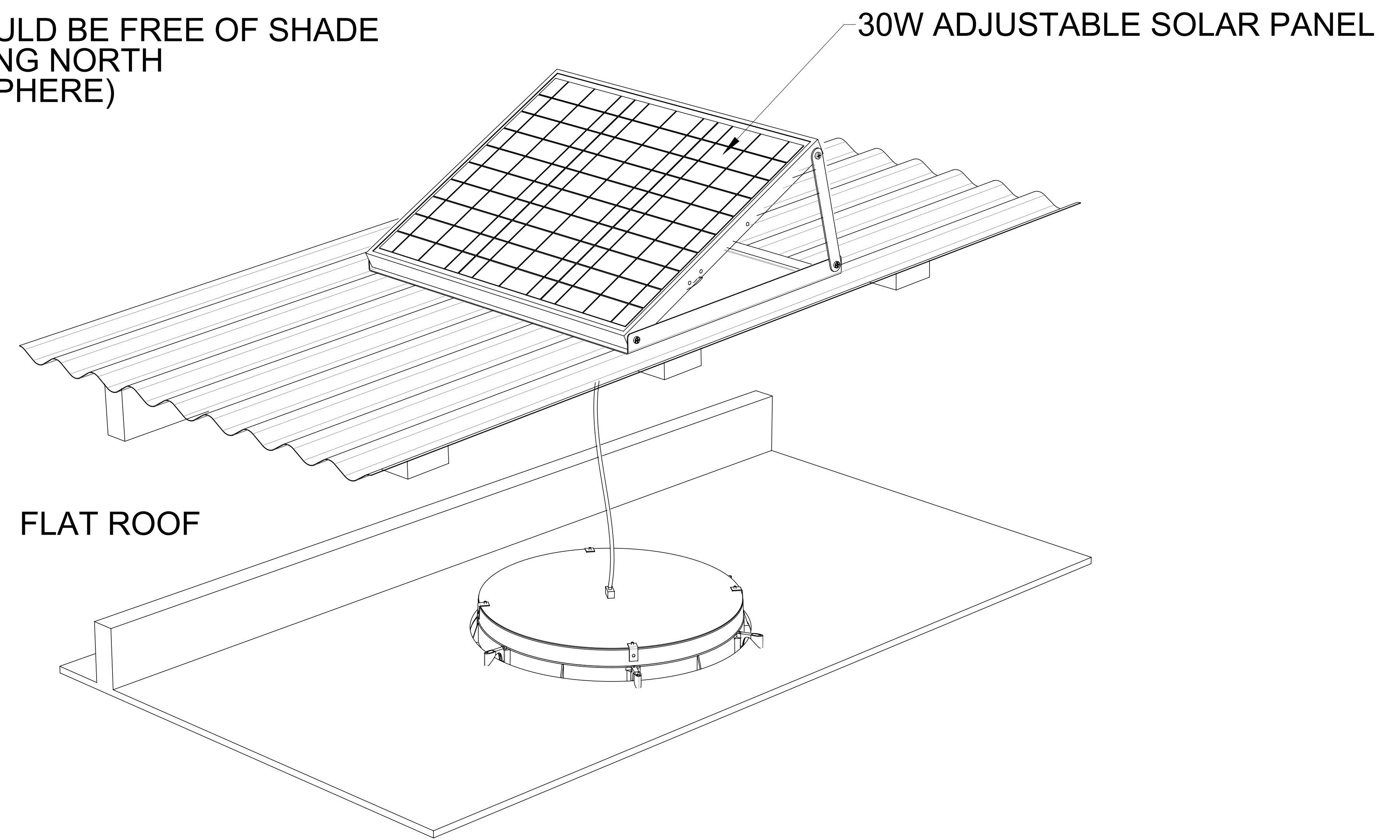


SOLAR PANEL SHOULD BE FREE OF SHADE  
 PITCHED AND FACING NORTH  
 (SOUTHERN HEMISPHERE)



<b>SOLAR BRIGHT AUSTRALIA PTY LTD</b>			
11 Progress Circuit. Prestons. NSW. 2170 Australia.			
ALL DIM IN MM	DO NOT SCALE	3RD ANGLE PROJECTION	AS1100 THIS PRINT
THIS IS THE CONTROL DRAWING FOR THE CAD FILE:		SHEET SIZE	SHEET NUMBER
DRAWINGNAME-REVISION.EXTENSION		A0	1 / 1
GENERAL TOLERANCES (UNLESS OTHERWISE STATED):		X = ±1.000	XX = ±0.250
		XXX = ±0.025	(X) = REF. DIM.
DRAWING NAME		MaxLED Standard	
		Small = K-MLED250 Day	
		Large = K-MLED400 Day	
			REVISION
			A

