

250 & 400 MaxLight® Installation Instructions

Parts Included

	Key	Part Name	Qty
A	A	Raycatcher Dome	1
B	B	Roof Flashing to suit roof	1
C	C	300mm long Top Tube	1
D	D	Extension tube (if required)	1
E	E	300mm long Bottom Tube	1
F	F	Ceiling Ring	1
G	G	Diffuser Lens Kit	1
H	H	Screw Kit for Dome and Flashing	2
I	I	Hole cutting template	1

CAUTION

When installing SolarBright® MaxLight® system ensure that all safety measures and precautions are taken. The installation of the product will require using power tools, climbing on the roof and possibly working in a confined space. The product has been designed to be installed by a handyman, however the installer must be competent to carry out the task safely and correctly. For safe installation and use, do not deviate from these installation instructions.

Required Tools

- Tape Measure
- Gyprock Saw
- Retractable Knife
- Stud Finder
- Impact Driver / Screwdriver
- Drop Sheet / Clean Up Tools
- Tin Snips

Safety Information

- Wear safety glasses and work gloves when using power tools.
- Use protective work gloves while handling tube sections to protect hands from sharp edges.

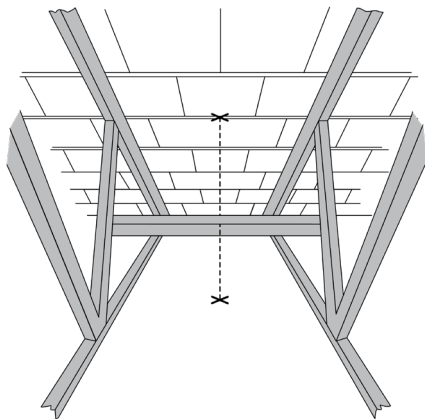
Step 1

From inside the room, mark the location where the MaxLight® will be installed. Use a **stud finder** to locate and position between ceiling joists. Push a **pin** into the centre of the chosen spot.

Access the **roof space** and locate the pin to ensure there is sufficient clearance for the MaxLight® to fit.

To identify this point from the outside: For **tiled roofs**, insert a wire directly above the pin between the tiles. For **metal roofs**, drill a small hole and insert a small screw.

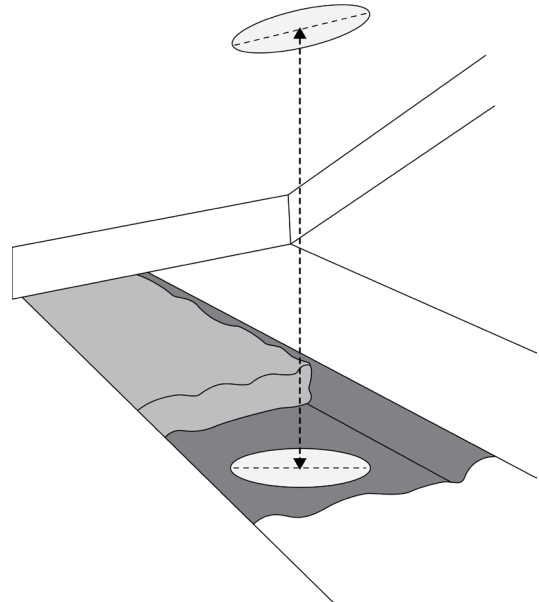
Do not cut the ceiling until the wire is visible on the roof and you have confirmed that the surrounding area is clear for the flashing to fit adequately.



Step 1 cont.

It is recommended to have roof dome directly above ceiling diffuser for maximum performance.

Roof dome can be installed little away from ceiling diffuser by swivelling top and bottom tubes to align the tube assembly.

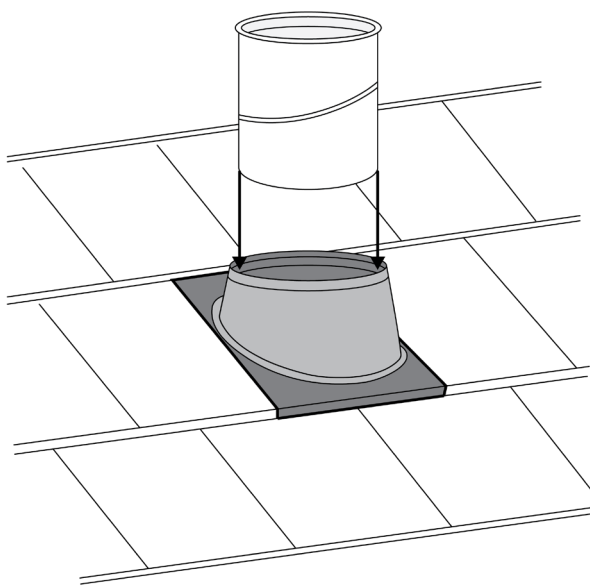


Step 2

Start fitting roof flashing as per the separate installation **instructions** provided.

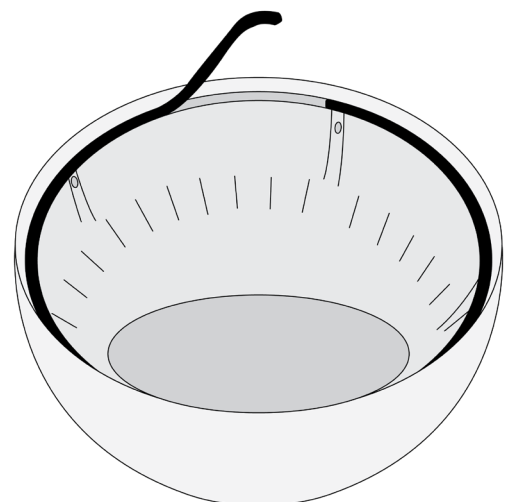
Step 3

Peel off the protective film from the top tube. Insert the tube into the flashing from the top of the roof.



Step 4

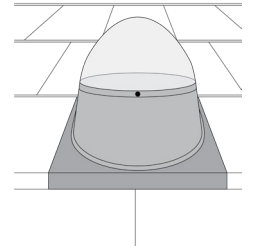
Remove backing paper and place the mohair seal around inside face-bottom edge of the dome. Cut off any excess and butt ends together.



Step 5

Fit the dome over the turret and pre-drill four holes where the dome aligns with the turret. Secure the dome using the four screws with rubber washers.

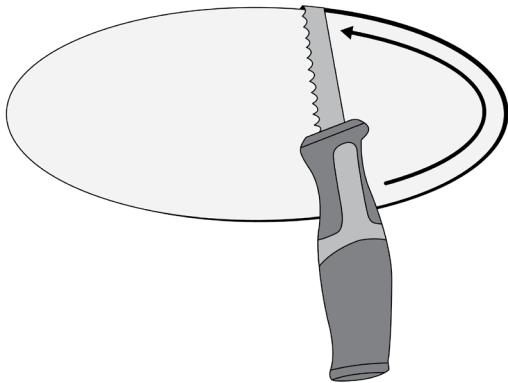
Please take care not to over-tighten.



Step 6

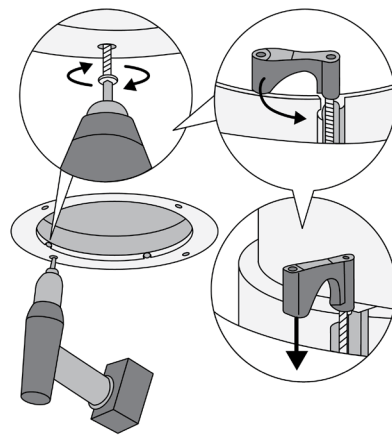
From inside the room, use the provided template to centre the hole for the diffuser. Hold the template in place, trace the outer circle, and carefully cut along the line using a gyprock saw.

Before starting any internal work, lay down drop sheets to protect furniture and flooring.



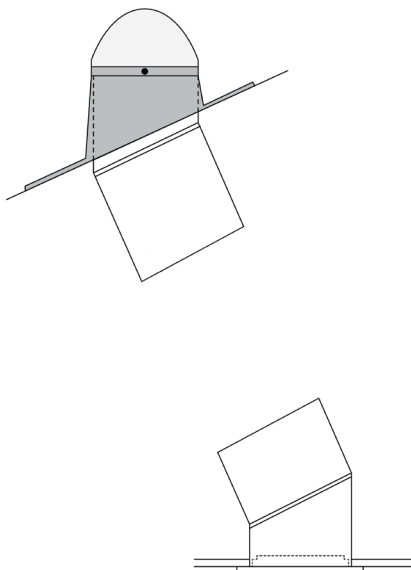
Step 7

Insert the ceiling ring into the hole, as you tighten the screws the angle adaptors will open out and grip the ceiling. Keep tightening the screws until the ceiling ring is being held tight in place.



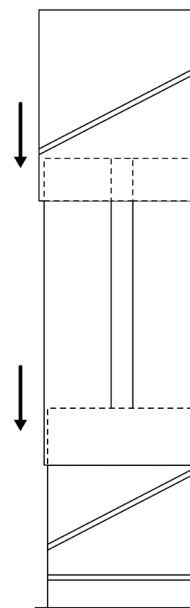
Step 8

From inside roof space, Peel the protective cover liner from inside of the bottom tube and place it on top of the ceiling ring, turn the angled sections of both the top and bottom tubes so they are in alignment. Secure bottom tube to ceiling ring after aligning it with top tube using provided foil tape.



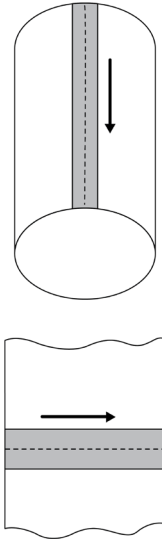
Step 9

Use an extension tube to connect the top and bottom tubes securely. Before assembling, **peel off the protective cover liner** from all tubes. For longer drops, multiple extension tubes may be required. Ensure each connection is secure.



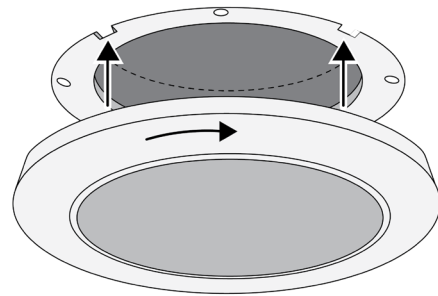
Step 9 cont.

Ensure all joints and overlaps are firmly secured using foil tape provided.



Step 10

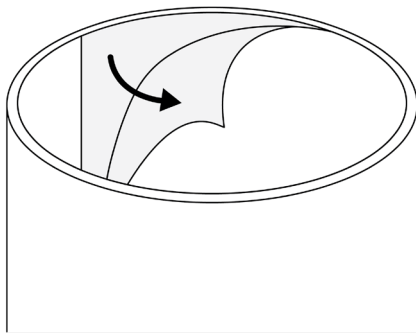
Align the lugs on the diffuser and push it up into the ceiling ring grooves. Twist the diffuser clockwise to lock it in place.



Note A

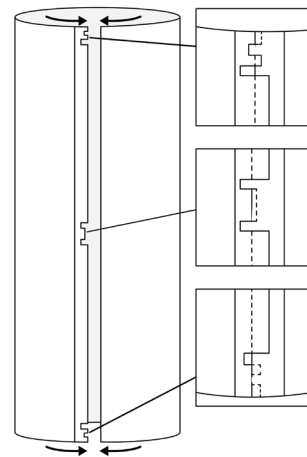
Ensure the protective film is removed from all tubes before tubes assembly.

Do not touch inside surface after removing the film with dirty hands. Wearing gloves is recommended.



Note B

Extension tubes to be assembled as a funnel using notches on the sides, narrow side on top to fit inside top tube and wide end to go over bottom tube.



Note C

Alternative Installation Method for Experienced Installers

In certain applications, experienced installers may be able to complete the installation without entering the roof cavity. This can be done from inside the room by:

1. Measuring the distance from the end of the top tube to the ceiling.
2. Securing the bottom tube to the ceiling ring
3. Attaching extensions (if needed) to the bottom tube.
4. Inserting the tube tunnel through the ceiling opening and pushing it into the top tube.

However, this method can be challenging if the roof dome and ceiling diffuser are misaligned or if there is a significant distance between them.